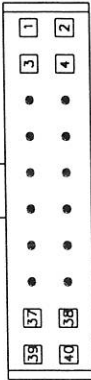


NOTE: WORKS WITH FIM #998132

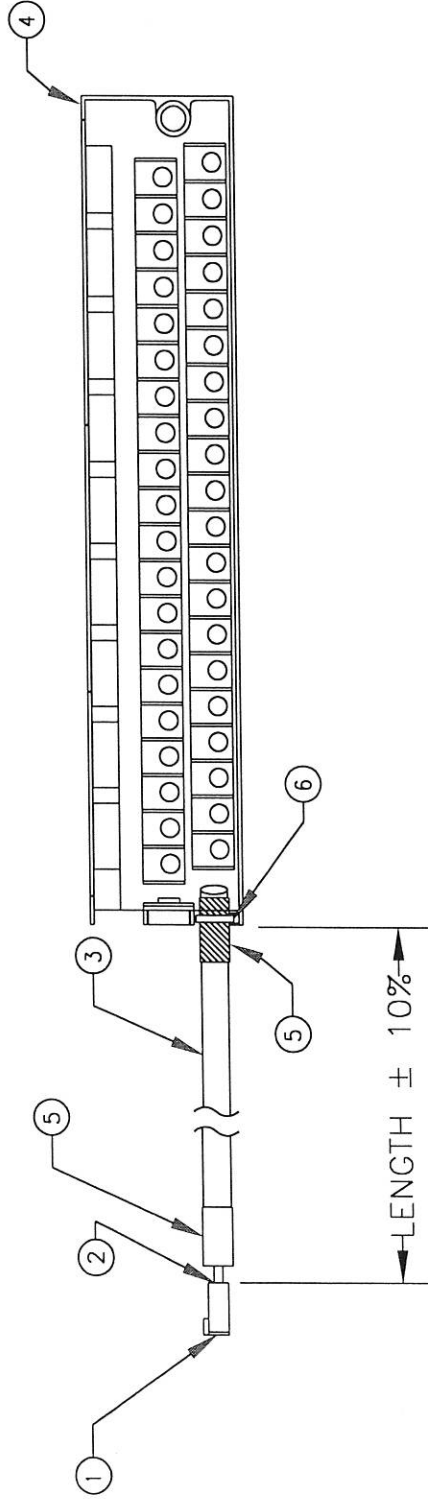


CRIMP AND POKE CONNECTOR
PIN NUMBERS
(WIRE INSERTION SIDE)

GE TERMINAL BLOCK
PIN NUMBERS

2
4
6
8
10
12
14
16
18
20
22
24
26
28
30
32
34
36
38
40

1
3
5
7
9
11
13
15
17
19
21
23
25
27
29
31
33
35
37
39



NOTES:

1. CUT CABLE AND STRIP CONDUCTORS AS REQUIRED TO ACHIEVE LENGTH SPECIFIED IN TABLE.
2. CUT UNUSED WIRE ENDS BACK TO THE JACKET BEFORE HEATING SHRINK TUBING.
3. INCLUDE THE PROPER CATALOG NO.(SEE BELOW) ON A CABLE WRAP LABEL:
WEIDMULLER CATALOG # "XXXXXX"

CATALOG NO.	LENGTH (m)
998133	0.5
998134	1.0
998135	1.5
998136	2.0

PARTS LIST

BUB. #	DESCRIPTION	QTY.
1	CONNECTOR, 40-PIN, FEMALE	1
2	CRIMP AND POKE TERMINAL	40
3	CABLE, 40-COND, 22AWG	A/R
4	TERMINAL BLOCK, IC697ACC700	1
5	SHRINK TUBING	100mm
6	TIE WRAP, NYLON, 4"	6
7	PANDUIT FORK TERMINAL, #PNF18-BFF-C	4

TITLE

CAT. NO.	VARIOUS
DRWN BY	PSH
APPROVED	SB
REL. DATE	10/23/97

Weidmüller
WEIDMULLER INC.
821 SOUTHLAKE BLVD.
RICHMOND, VIRGINIA 23236

DISTRIBUTION: P/N DWG. PROD. INSP. OTHER

CABLE ASSEMBLY
GE FPA/C 9070-340

TOLERANCE ON :
X. = +/- 0.508 mm
XX = +/- 0.127 mm
XXX = +/- 0.30"
UNLESS OTHERWISE SPECIFIED ALL DIMENSIONS ARE IN MILLIMETERS
() INDICATES REFERENCE DIMENSIONS

PROPRIETARY RIGHTS :
THIS DOCUMENT INCLUDES DESIGN AND ENGINEERING CONCEPTS WHICH INVOLVE PROPRIETARY AND CONFIDENTIAL INFORMATION OF WEIDMULLER INC. AND THIS DOCUMENT OR ITS CONTENTS SHALL BE KEPT CONFIDENTIAL AND NOT REPRODUCED, COPIED OR USED WITHOUT WRITTEN AUTHORITY FROM WEIDMULLER INC. IN RICHMOND, VIRGINIA.

REV.	DESCRIPTION	DATE	CMPLT. BY	APPRV.
A	ECO 998133-01	6/3/99	PSH	WJL

SIZE: A	SHEET 1 OF 2	SCALE: DO NOT SCALE	PRODUCTION RELEASE PAGE 1
DRAWING NUMBER	1100362	REV.	A