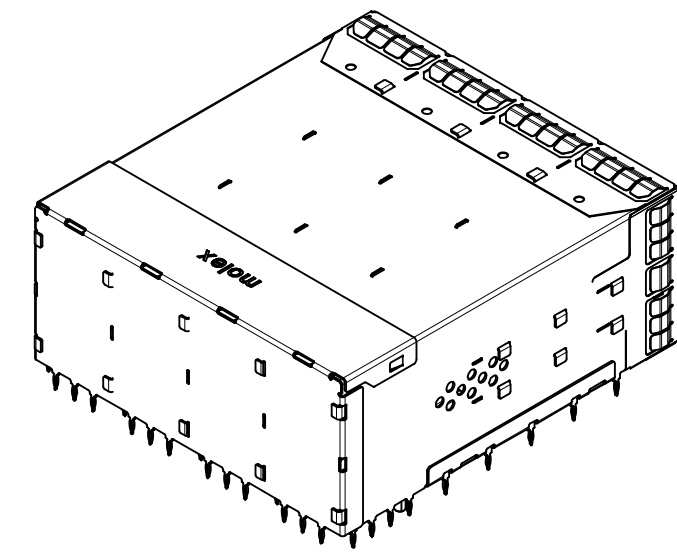
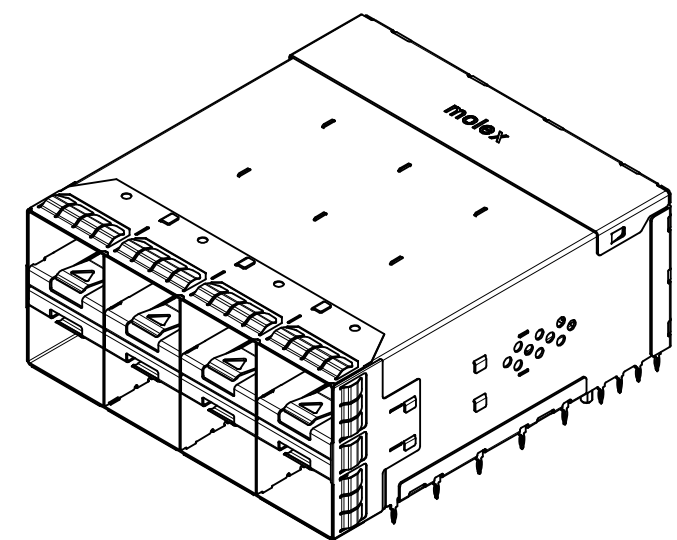
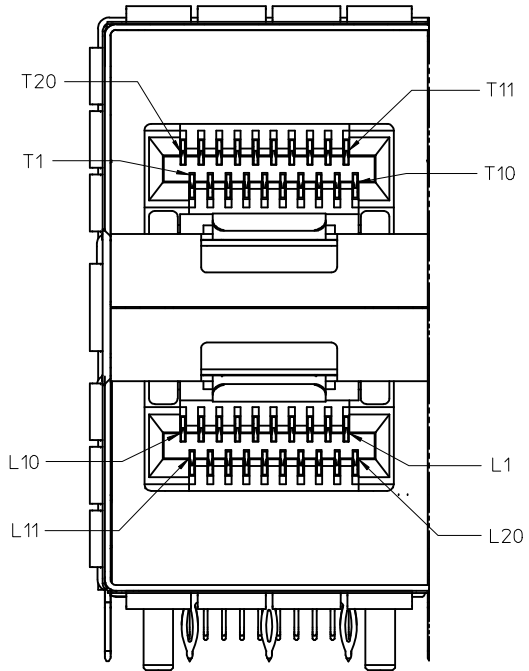


NOTES:

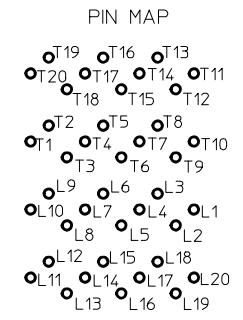
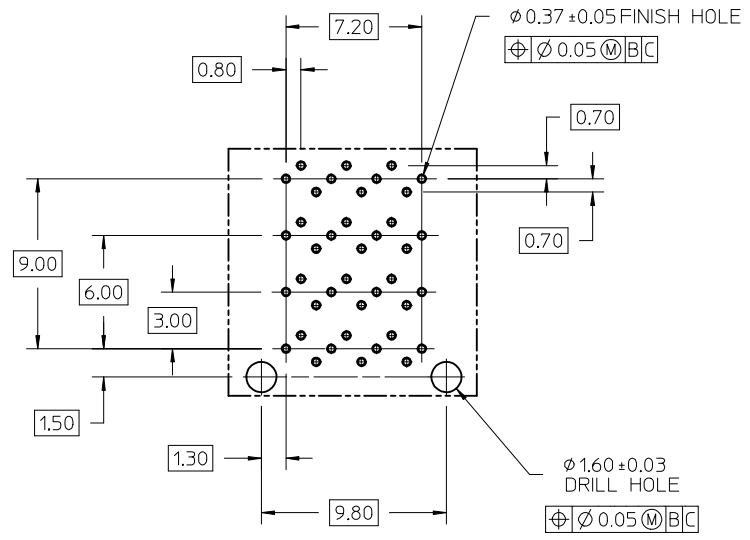
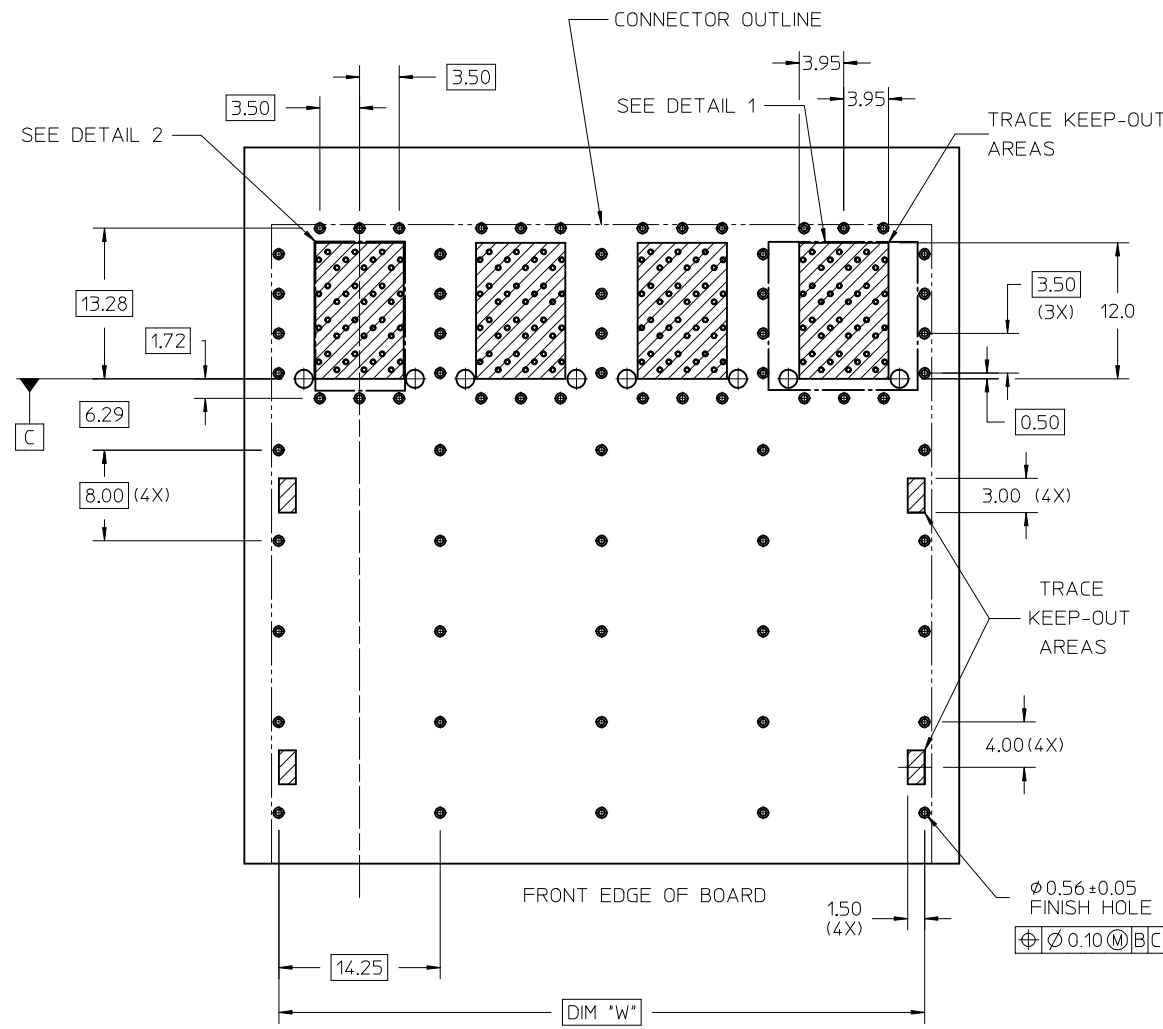
- MATERIAL:
  - CAGE: NICKEL SILVER
  - CONNECTOR HOUSING: GLASS FILLED THERMOPLASTIC, UL: 94V-0, COLOR: BLACK
  - TERMINALS: HIGH PERFORMANCE COPPER ALLOY
  - FRONT SHIELD WALL: COPPER ALLOY
- FINISH
  - TERMINALS: CONTACT AREA: 0.76  $\mu$ m MIN. HARD GOLD OVER  
3.8  $\mu$ m MIN. NICKEL.
  - COMPLIANT TAIL: 0.7-1.5  $\mu$ m MATTE TIN OVER:  
0.7-1.5  $\mu$ m NICKEL
  - FRONT SHIELD WALL: 0.7-1.5  $\mu$ m NICKEL OVERALL
- 2X4 CONFIGURATION SHOWN FOR REFERENCE, SEE CHART FOR AVAILABLE OPTIONS
- REFER TO PS-170071-0001 FOR ALL ELECTRICAL, MECHANICAL AND ENVIRONMENTAL SPECIFICATIONS.
- REFER TO AS-170071-0001 FOR CONNECTOR MOUNTING AND REWORK INFORMATION.
- REFER TO AS-170071-0002 FOR PCB ROUTING RECOMMENDATIONS.
- ALL VISIBLE EXTERIOR SURFACES TO BE CLASS "B" (BOTTOM OF CONNECTOR IS CLASS "C") CAGE SURFACES TO CONFORM TO THE MOLEX COSMETIC DOC PS-45499-002.

| PORT SIZE | PART NUMBER | DIM X  | DIM Y  |
|-----------|-------------|--------|--------|
| 2X1       | 1712241001  | 14.75  | 15.10  |
| 2X2       | 1712242001  | 29.00  | 29.35  |
| 2X4       | 1712244001  | 57.50  | 57.85  |
| 2X6       | 1712246001  | 86.00  | 86.35  |
| 2X8       | 1712248001  | 114.50 | 114.85 |
| 2X12      | 1712241201  | 171.50 | 171.85 |

|  |                 |  |                            |   |                        |  |
|--|-----------------|--|----------------------------|---|------------------------|--|
| ADD SPRING HEIGHT<br>EC NO: UCP2015-4683<br>DRWN:JKACHLIC 2015/05/07<br>CHKD:<br>APPR:MBANAKIS 2015/05/13<br>REV | QUALITY SYMBOLS | GENERAL TOLERANCES (UNLESS SPECIFIED)                | DIMENSION STYLE<br>MM ONLY | SCALE<br>2:1  | DESIGN UNITS<br>METRIC | THIRD ANGLE PROJECTION   |
|  | ▽=0             | 4 PLACES ± --- ± ---                                 | mm                         | DRAWN BY<br>JKACHLIC  | DATE<br>2012/01/10     | ZSFP+ STACKED ASSY<br>METAL SPRING FINGER<br>WITHOUT LIGHT PIPES<br><b>molex</b> |
|  | ▽=0             | 3 PLACES ± --- ± ---                                 | INCH                       | CHECKED BY  | DATE                   |  |
|  | ▽=0             | 2 PLACES ± --- ± ---                                 | 1 PLACE ± 0.25 ± ---       | APPROVED BY<br>MBANAKIS   | DATE<br>2012/01/13     | DOCUMENT NO.<br>SD-171224-0001   |
|  |                 | 0 PLACE ± ±  | ANGULAR ±1/2°              | SEE CHART<br>THIS DRAWING CONTAINS INFORMATION THAT IS PROPRIETARY TO MOLEX<br>INCORPORATED AND SHOULD NOT BE USED WITHOUT WRITTEN PERMISSION |                        |  |
|  |                 | DRAFT WHERE APPLICABLE MUST REMAIN WITHIN DIMENSIONS | SIZE<br>C                  |   |                        |  |



|   |                     |   |            |                                   |                         |  |                               |                        |  |  |
|---|---------------------|---|------------|-----------------------------------|-------------------------|--|-------------------------------|------------------------|--|--|
| <b>SEE SHEET 1</b><br>EC NO: UCP2015-4683<br>DRWIN:JKACHLIC 2015/05/07<br>CHKD:<br>APPR:MBANAKIS 2015/05/13 | QUALITY SYMBOLS<br> | GENERAL TOLERANCES (UNLESS SPECIFIED)   |            | DIMENSION STYLE<br><b>MM ONLY</b> |                         | SCALE<br><b>3:1</b>  | DESIGN UNITS<br><b>METRIC</b> | THIRD ANGLE PROJECTION |  |  |
|   |                     | 4 PLACES ± --- ± ---<br>3 PLACES ± --- ± ---<br>2 PLACES ± --- ± ---<br>1 PLACE ± 0.25 ± ---<br>0 PLACE ± ± | mm<br>INCH | DRAWN BY<br>JKACHLIC              | DATE<br>2012/01/10      | TITLE<br><b>ZSFP+ STACKED ASSY<br/>         METAL SPRING FINGER<br/>         WITHOUT LIGHT PIPES</b> |                               |                        |  |  |
|   |                     | ANGULAR ±1/2°<br>DRAFT WHERE APPLICABLE<br>MUST REMAIN<br>WITHIN DIMENSIONS                                 |            | CHECKED BY<br>DATE                | APPROVED BY<br>MBANAKIS | DATE<br>2012/01/13   | <b>molex</b>                  |                        |  |  |
|   |                     |   |            | MATERIAL NO.<br><b>SEE CHART</b>  |                         | DOCUMENT NO.<br><b>SD-171224-0001</b>  | SHEET NO.<br><b>2 OF 4</b>    |                        |  |  |



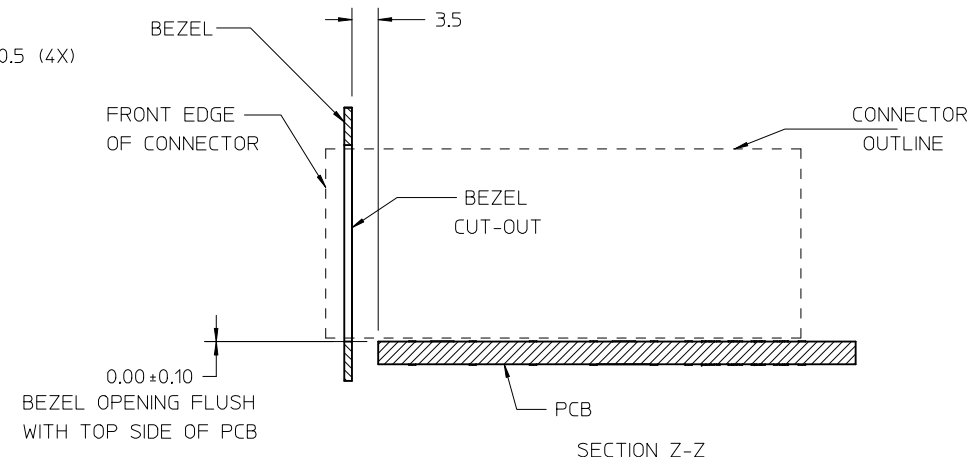
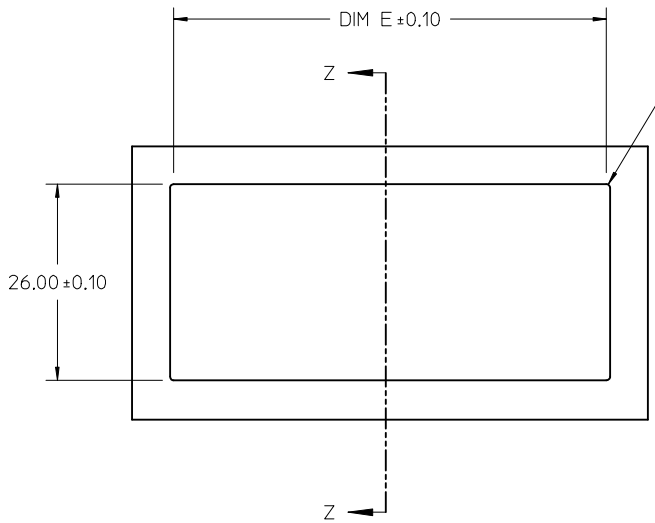
DETAIL 2  
SCALE 6:1

| PORT SIZE | DIM "W" | HOLE CHART                   |                           |                             |
|-----------|---------|------------------------------|---------------------------|-----------------------------|
|           |         | CONNECTOR<br>( $\phi 0.37$ ) | SHIELD<br>( $\phi 0.56$ ) | LOCATION<br>( $\phi 1.60$ ) |
| 2X1       | 14.25   | 40                           | 24                        | 2                           |
| 2X2       | 28.50   | 80                           | 39                        | 4                           |
| 2X4       | 57.00   | 160                          | 69                        | 8                           |
| 2X6       | 85.50   | 240                          | 99                        | 12                          |
| 2X8       | 114.00  | 320                          | 129                       | 16                          |
| 2X12      | 171.00  | 480                          | 189                       | 24                          |

| <b>SEE SHEET 1</b><br>EC NO: UCP2015-4683<br>DRWN: JKACHLIC 2015/05/07<br>CHKD:<br>APPR: MBANAKIS 2015/05/13<br>REV | QUALITY SYMBOLS         | GENERAL TOLERANCES (UNLESS SPECIFIED)<br><table border="1"> <tr> <th></th> <th>mm</th> <th>INCH</th> </tr> <tr> <td>4 PLACES</td> <td>± ---</td> <td>± ---</td> </tr> <tr> <td>3 PLACES</td> <td>± ---</td> <td>± ---</td> </tr> <tr> <td>2 PLACES</td> <td>± ---</td> <td>± ---</td> </tr> <tr> <td>1 PLACE</td> <td>± 0.25</td> <td>± ---</td> </tr> <tr> <td>0 PLACE</td> <td>±</td> <td>±</td> </tr> </table> |   | mm                                    | INCH                       | 4 PLACES | ± --- | ± --- | 3 PLACES | ± --- | ± --- | 2 PLACES | ± --- | ± --- | 1 PLACE | ± 0.25 | ± --- | 0 PLACE | ± | ± | DIMENSION STYLE<br><b>MM ONLY</b> | SCALE<br><b>3:1</b> | DESIGN UNITS<br><b>METRIC</b> | THIRD ANGLE PROJECTION |
|---|-------------------------|---|---|---------------------------------------|----------------------------|----------|-------|-------|----------|-------|-------|----------|-------|-------|---------|--------|-------|---------|---|---|-----------------------------------|---------------------|-------------------------------|------------------------|
|   |                         |   | mm  | INCH                                  |                            |          |       |       |          |       |       |          |       |       |         |        |       |         |   |   |                                   |                     |                               |                        |
|   | 4 PLACES                | ± ---   | ± ---   |                                       |                            |          |       |       |          |       |       |          |       |       |         |        |       |         |   |   |                                   |                     |                               |                        |
|   | 3 PLACES                | ± ---   | ± ---   |                                       |                            |          |       |       |          |       |       |          |       |       |         |        |       |         |   |   |                                   |                     |                               |                        |
| 2 PLACES  | ± ---                   | ± ---   |   |                                       |                            |          |       |       |          |       |       |          |       |       |         |        |       |         |   |   |                                   |                     |                               |                        |
| 1 PLACE   | ± 0.25                  | ± ---   |   |                                       |                            |          |       |       |          |       |       |          |       |       |         |        |       |         |   |   |                                   |                     |                               |                        |
| 0 PLACE   | ±                       | ±   |   |                                       |                            |          |       |       |          |       |       |          |       |       |         |        |       |         |   |   |                                   |                     |                               |                        |
| DESCRIPTION   | DRAWN BY<br>JKACHLIC    | DATE<br>2012/01/10  | <b>ZSFP+ STACKED ASSY METAL SPRING FINGER WITHOUT LIGHT PIPES</b> |                                       |                            |          |       |       |          |       |       |          |       |       |         |        |       |         |   |   |                                   |                     |                               |                        |
|   | CHECKED BY              | DATE  | <b>molex</b>  |                                       |                            |          |       |       |          |       |       |          |       |       |         |        |       |         |   |   |                                   |                     |                               |                        |
|   | APPROVED BY<br>MBANAKIS | DATE<br>2012/01/13  | MATERIAL NO.<br><b>SEE CHART</b>                                  | DOCUMENT NO.<br><b>SD-171224-0001</b> | SHEET NO.<br><b>3 OF 4</b> |          |       |       |          |       |       |          |       |       |         |        |       |         |   |   |                                   |                     |                               |                        |

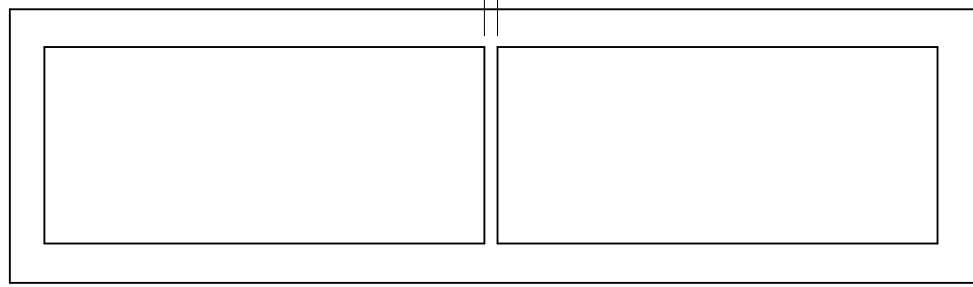
ANGULAR  $\pm 1/2^\circ$   
 DRAFT WHERE APPLICABLE MUST REMAIN WITHIN DIMENSIONS

THIS DRAWING CONTAINS INFORMATION THAT IS PROPRIETARY TO MOLEX INCORPORATED AND SHOULD NOT BE USED WITHOUT WRITTEN PERMISSION



BEZEL CUT-OUT DETAIL  
BEZEL THICKNESS 0.8-2.6

1.75 SEE NOTE



BEZEL CUT-OUT FOR  
CONNECTOR STACKING

| PORT SIZE | DIM "E" |
|-----------|---------|
| 2X1       | 15.50   |
| 2X2       | 29.75   |
| 2X4       | 58.25   |
| 2X6       | 86.75   |
| 2X8       | 115.25  |
| 2X12      | 172.25  |

NOTE:

FOR SIDE BY SIDE STACKING OF CONNECTORS, A BASIC DIMENSION OF 3.0mm BETWEEN CONNECTOR MOUNTING PATTERNS IS THE RECOMMENDED MINIMUM SPACING.

|  |                      |  |                                   |                         |   |                                       |
|--|----------------------|--|-----------------------------------|-------------------------|---|---------------------------------------|
| SEE SHEET 1<br>EC NO: UCP2015-4683<br>DRWN: JKACHLIC 2015/05/07<br>CHKD: MBANAKIS<br>APPR: MBANAKIS 2015/05/13 | QUALITY SYMBOLS      | GENERAL TOLERANCES (UNLESS SPECIFIED)                | DIMENSION STYLE<br><b>MM ONLY</b> | SCALE<br><b>2:1</b>     | DESIGN UNITS<br><b>METRIC</b>   | THIRD ANGLE PROJECTION                |
|  | ▽=0                  | mm INCH  | DRAWN BY<br>JKACHLIC              | DATE<br>2012/01/10      | TITLE<br><b>ZSFP+ STACKED ASSY<br/>METAL SPRING FINGER<br/>WITHOUT LIGHT PIPES</b>  |                                       |
|  | ▽=0                  | 4 PLACES ± --- ± ---                                 | CHECKED BY                        | DATE                    |   |                                       |
|  | ▽=0                  | 3 PLACES ± --- ± ---                                 | 1 PLACE ± 0.25 ± ---              | APPROVED BY<br>MBANAKIS | DATE<br>2012/01/13  | DOCUMENT NO.<br><b>SD-171224-0001</b> |
| ▽=0  | 2 PLACES ± --- ± --- | 0 PLACE ± ±  | MATERIAL NO.                      | SHEET NO.<br>4 OF 4     |   |                                       |
|  |                      | ANGULAR ±1/2°  | SEE CHART                         |                         | THIS DRAWING CONTAINS INFORMATION THAT IS PROPRIETARY TO MOLEX INCORPORATED AND SHOULD NOT BE USED WITHOUT WRITTEN PERMISSION |                                       |
|  |                      | DRAFT WHERE APPLICABLE MUST REMAIN WITHIN DIMENSIONS |                                   |                         |   |                                       |