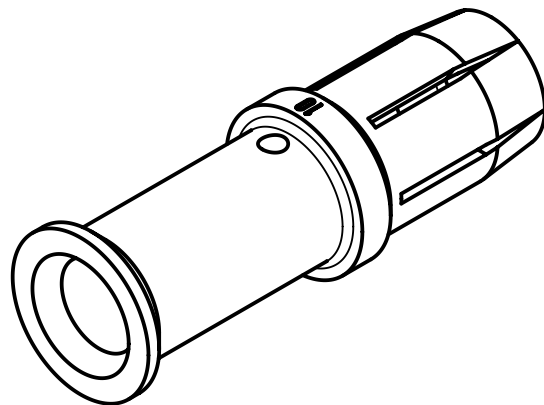


assembly notes see catalog

crimp zone acc. to DIN EN 46235  
indicator 10

for stranded fine wire acc. to VDE 0295 class 5 / IEC 60228 class 5  
wire gauge: 25mm<sup>2</sup>



	All Dimensions in mm Original Size DIN A4		Scale 2:1	Free size tol.		Ref.	
						Sub.	
	All rights reserved		Created by FINKEV	Inspected by MOOR	Standardisation SCHMIDTM	Date 2013-05-16	State Final Release
	Department EL PD - DE		Title Han TC100 female contact 25mm <sup>2</sup>			Doc-Key / ECM-Nr. 100150729/UGD/007/A 500000061852	
HARTING Electric GmbH & Co. KG D-32339 Espelkamp			Type TB	Number 09 11 000 6225		Rev. A	Page 1/1