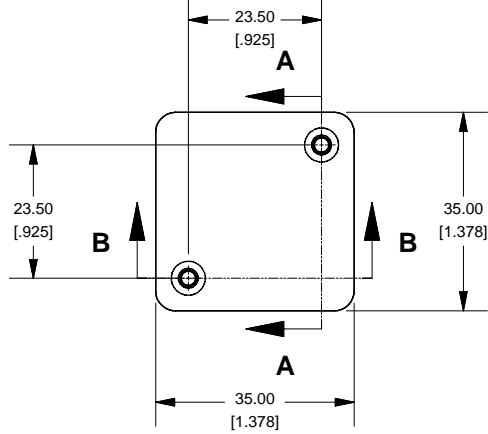
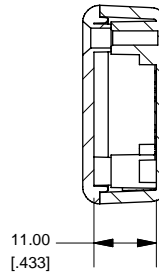


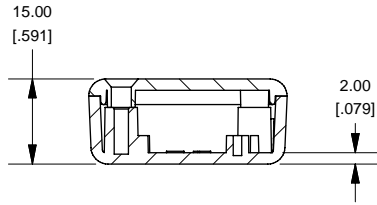
### Top View of Assembly



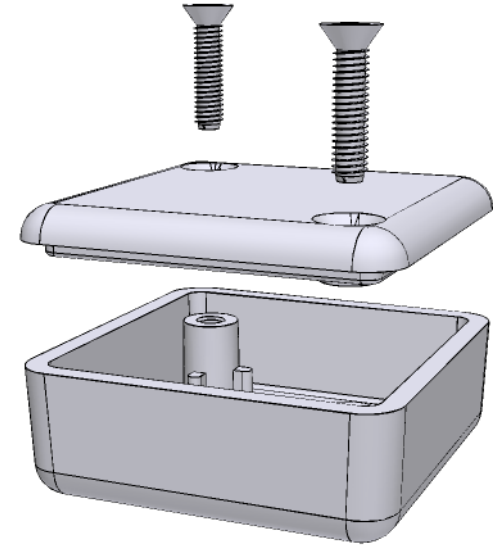
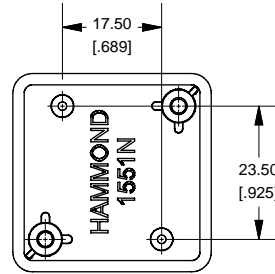
### SECTION A-A End View of Assembly



### SECTION B-B Side View of Assembly

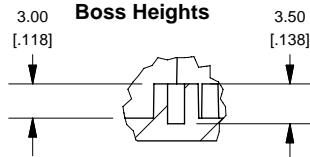


### Top View Looking Inside Box

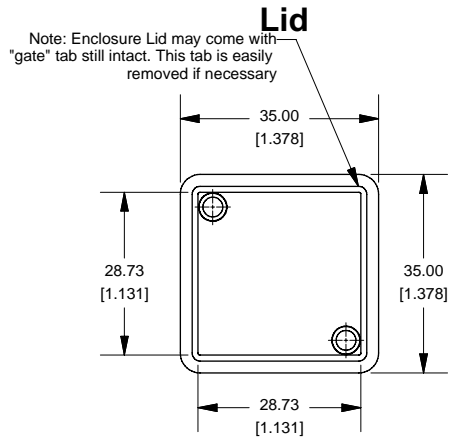
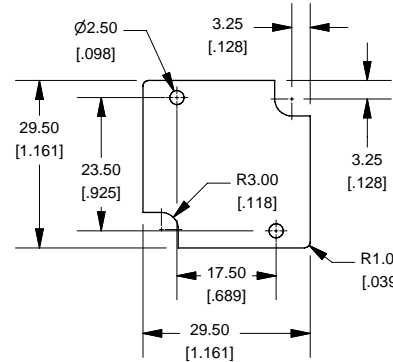


**NOTE**  
Purchased assembly includes lid and box made from GP ABS material and cover screws.

### SECTION C-C Boss Heights



### Maximum P.C. Board Size



1551N	
1551N Enclosure	
Black Enclosure - RAL 9011 - UL94 - HB	1551NBK
Gray Enclosure - RAL 7035 - UL94 - HB	1551NGY
Translucent Blue - UL94 - HB	1551NTBU
ACCESSORIES	
Recommended Screw Torque: 15-20 ozf.in (10-15 cN.m)	
Black Enclosure Cover Screws (Pkg 100) X 1/2" Self Tapping	[#4] 1591TS100BK
Grey Enclosure Cover Screws (Pkg 100) X 1/2" Self Tapping	[#4] 1591TS100
P.C. Board Screws (Pkg 100) [#2 x 3/16" Self Tapping]	1551ATS100

