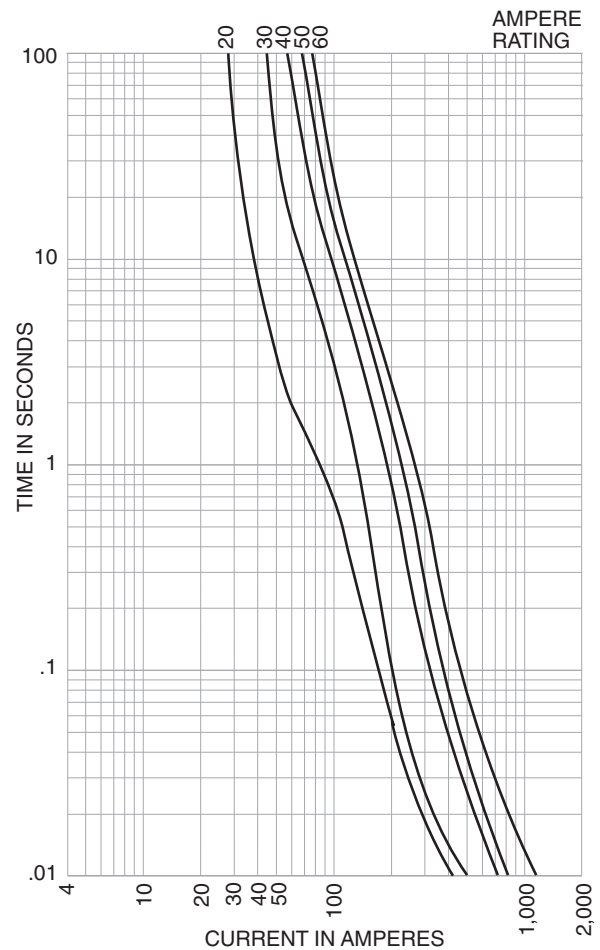
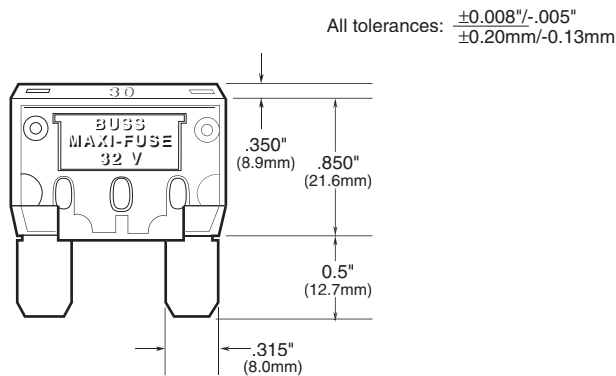


Time-Current Characteristic Curves—Average Melt



Dimensional Data



Catalog Symbol: MAX

Fast-Acting

Ampere Rating: 20 to 80 Amperes

Interrupting Rating: 1,000 Amperes

Ordering: Specify packaging and product code

SPECIFICATIONS

| Product Code | Body Color | Voltage Rating DC |
|--------------|------------|-------------------|
| MAX-20 | Yellow | 32V |
| MAX-30 | Green | 32V |
| MAX-40 | Orange | 32V |
| MAX-50 | Red | 32V |
| MAX-60 | Blue | 32V |
| MAX-70 | Tan | 32V |
| MAX-80 | Natural | 32V |

Recommended Bussmann Fuseholders

| Blade-Type | Part | Description | Fuse Size | Wire Size |
|------------|-------|--------------------|------------|----------------------------|
| MAX | HHX | Fuseholder w/Cover | 20-60 Amps | #6 Lead Wire; 5" Length |
| | HHX-B | Body Only | | |
| | HHX-C | Cover Only | — | — |

PACKAGING CODE

| Packaging Code | Description |
|----------------|--|
| Blank | 1 pieces of fuses packed in a tin |
| BK | 250 pieces of fuses packed in a carton |

North America

Cooper Electronic Technologies
1225 Broken Sound Parkway NW
Suite F
Boca Raton, FL 33487-3533
Tel: 1-561-998-4100
Fax: 1-561-241-6640
Toll Free: 1-888-414-2645

Cooper Bussmann
P.O. Box 14460
St. Louis, MO 63178-4460
Tel: 1-636-394-2877
Fax: 1-800-544-2570

Europe

Cooper Electronic Technologies
Cooper (UK) Limited
Burton-on-the-Wolds
Leicestershire • LE12 5TH UK
Tel: +44 (0) 1509 882 737
Fax: +44 (0) 1509 882 786

Cooper Electronic Technologies
Avda. Santa Eulalia, 290
08223
Terrassa, (Barcelona), Spain
Tel: +34 937 362 812
+34 937 362 813
Fax: +34 937 362 719

Asia Pacific

Cooper Electronic Technologies
1 Jalan Kilang Timor
#06-01 Pacific Tech Centre
Singapore 159303
Tel: +65 278 6151
Fax: +65 270 4160