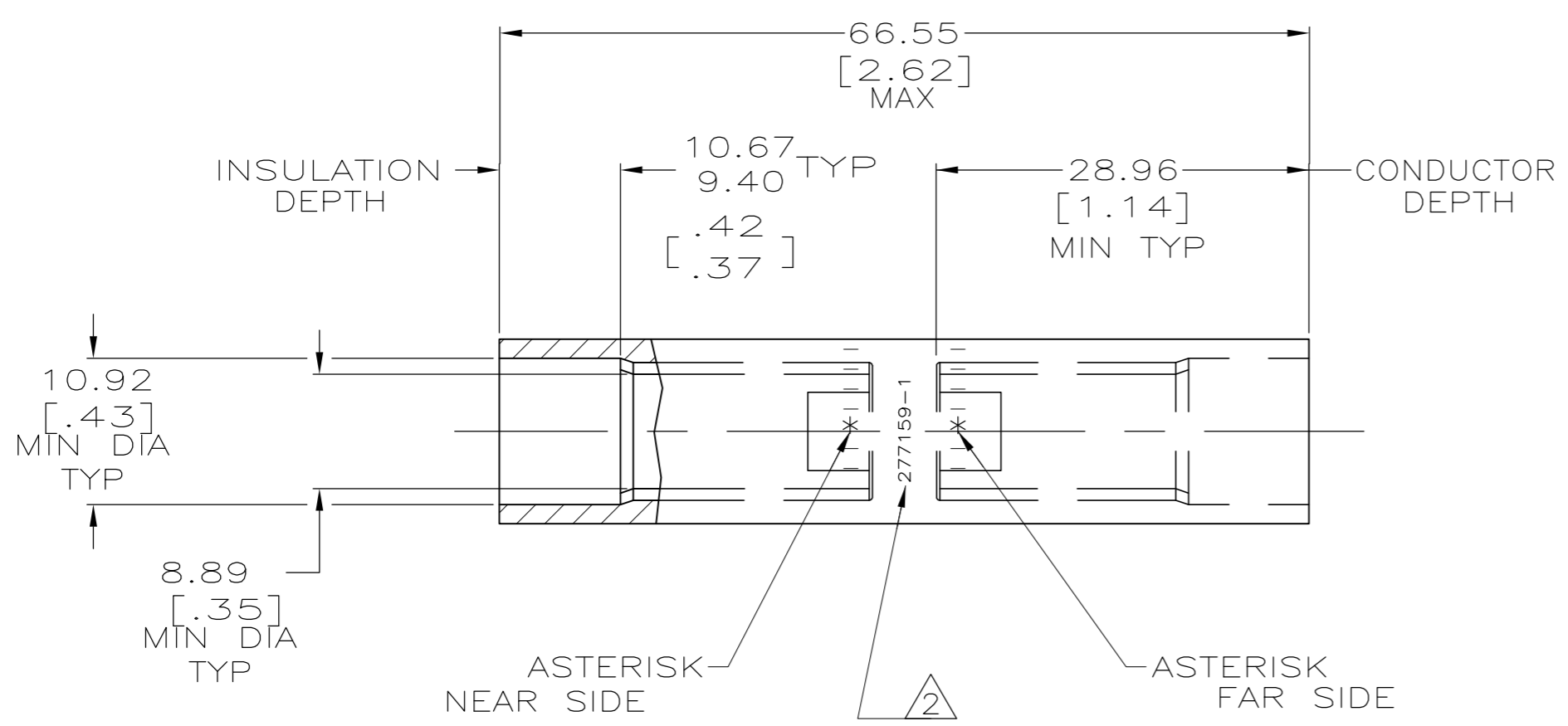
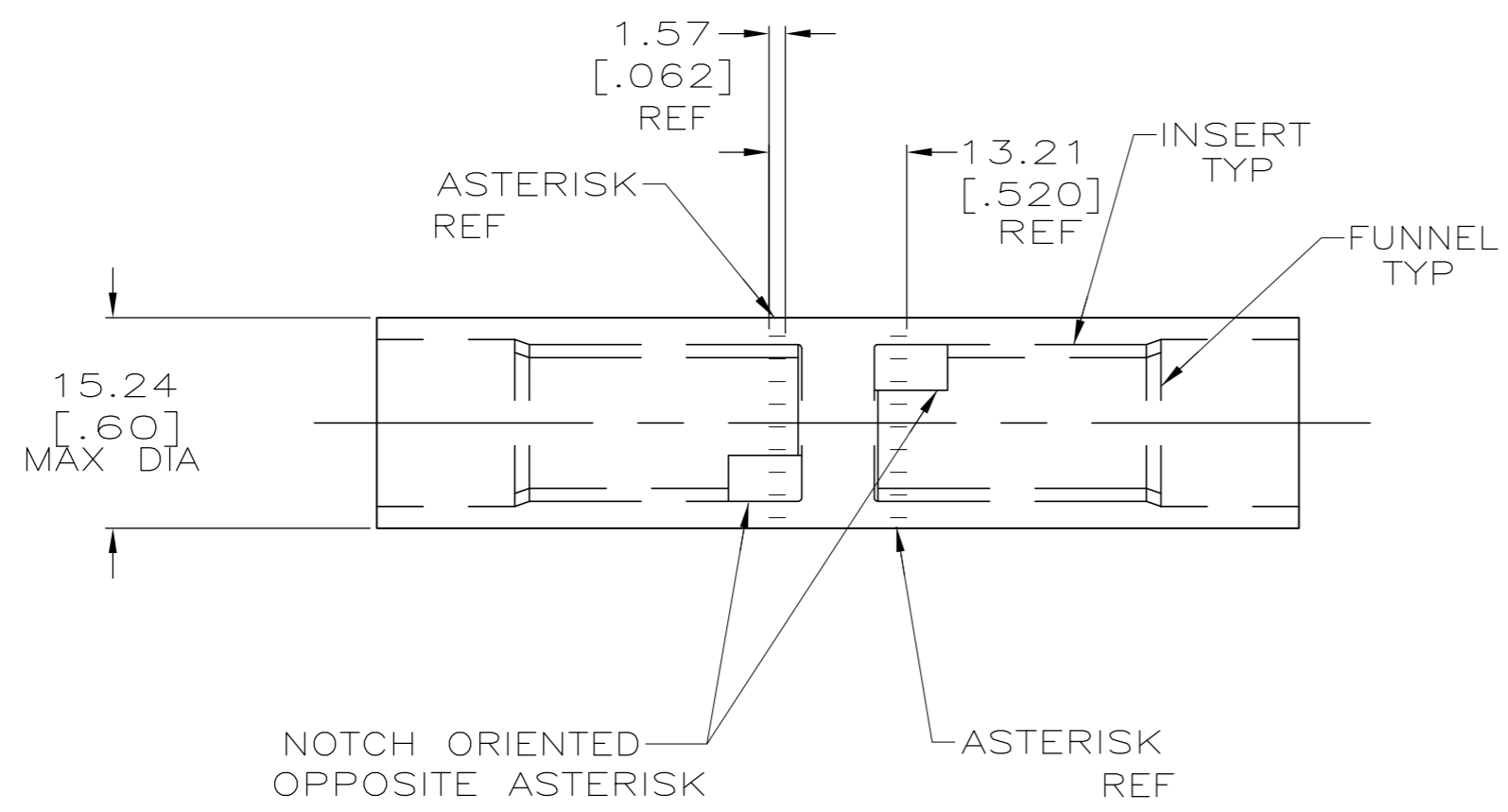


THIS DRAWING IS UNPUBLISHED. RELEASED FOR PUBLICATION
 © COPYRIGHT - By - ALL RIGHTS RESERVED.

LOC	DIST	REVISIONS					
		P	LTR	DESCRIPTION	DATE	DWN	APVD
G	86	N		REV PER ECO-11-014285	02AUG11	PY	BW



1 WIRE INSULATION: 8.64[.340] - 9.65[.380] DIA
 △ STAMP " 277159-1 AMP 2AL-4CU"
 APPROX AS SHOWN



SPLICE: COPPER ASTM B-187 TIN PL B-545 0.00381[.000150] MIN THK INSERT & FUNNEL: BRASS ASTM B36 NICKEL PL SAE AMS QQ-N-290A, DATED JULY 2000, 0.00254 [.000100] MIN THK	277159-1
MATERIAL & FINISH	PART NO.

THIS DRAWING IS A CONTROLLED DOCUMENT.		DWN DK SCHRUM 7/5/89	TE TE Connectivity	
DIMENSIONS: MM [INCHES]		CHK MS FEHER 5/1/90		
TOLERANCES UNLESS OTHERWISE SPECIFIED:		APVD C RHOADS 5/1/90	NAME	
0 PLC ± -		PRODUCT SPEC	WIRE SPLICE, BUTT, SEALED COPALUM,	
1 PLC ± -		APPLICATION SPEC	35.0mm2 [2] ALUMINUM	
2 PLC ± -		108-11011	22.0mm2 [4] COPPER	
3 PLC ± -		114-2134	SIZE	CAGE CODE
4 PLC ± -		WEIGHT 50.3 GRAMS	A2	00779
ANGLES ± -		CUSTOMER DRAWING	DRAWING NO C-277159	
FINISH SEE TABLE		SCALE 2:1	SHEET 1 of 1	REV N