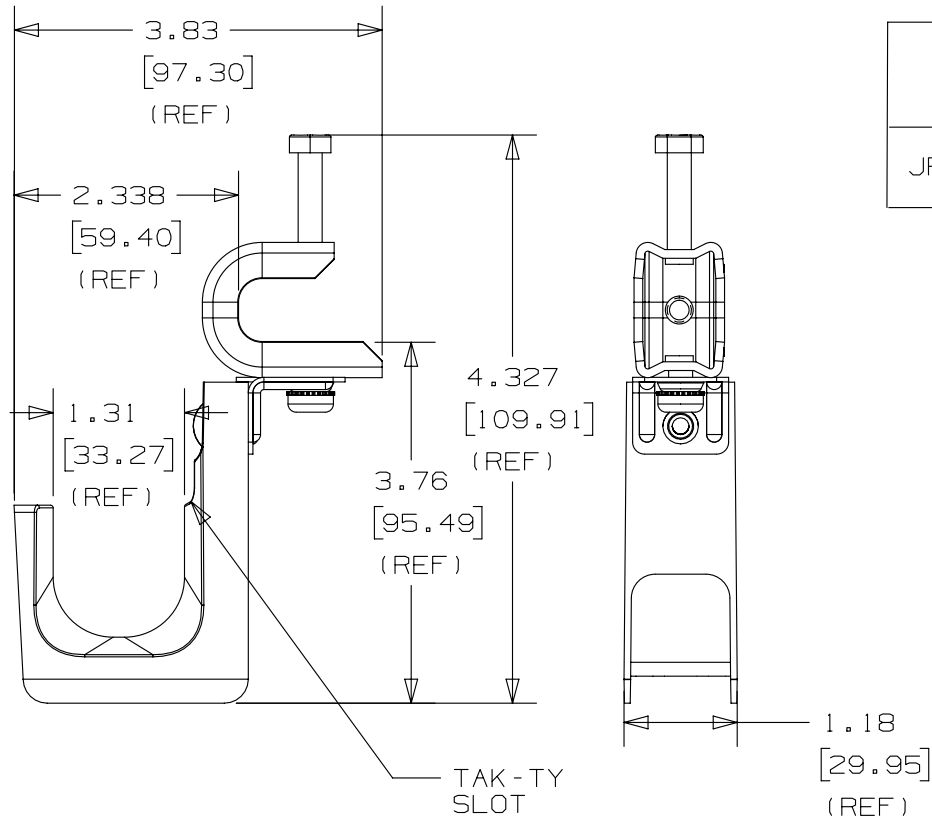
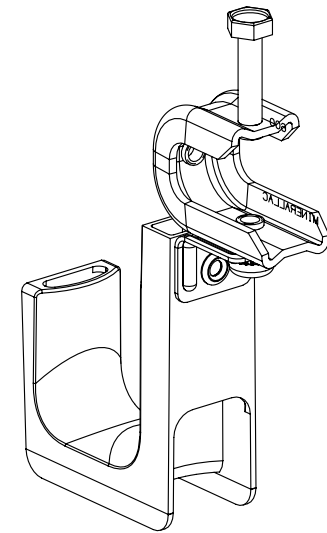


THIS COPY IS PROVIDED ON A RESTRICTED BASIS AND IS NOT TO BE USED IN ANY WAY DETRIMENTAL TO THE INTERESTS OF PANDUIT CORP.



PANDUIT PART NO.	FLANGE THICKNESS	WEIGHT 10pcs lbs (g)
JP131SBC50RB_---	UP TO 0.50 [12.7]	2.07 (93.8)



NOTES:

- SEE CURRENT PRICE SHEET FOR PART NUMBER SUFFIX DESIGNATION FOR PACKAGE SIZE AND PRODUCT COLOR.
- HOOK MATERIAL: NYLON 6/6
ANGLE BRACKET MATERIAL: PRE-GALVANIZED STEEL
RIVET MATERIAL: ALUMINUM
CLAMP MATERIAL: PLATED STEEL
BOLT/WASHER MATERIAL: ZINC PLATED STEEL
- PRODUCT IS DESIGNED TO SUPPORT A MAXIMUM OF 1 5/16" (33.34) DIAMETER BUNDLE, MAXIMUM RECOMMENDED STATIC LOAD: 20 lbs.
- PRODUCT INCORPORATES FEATURES ALLOWING USER TO RETAIN CABLE BUNDLES IN J-PRO J-HOOK WITH TAK-TY CABLE TIES UP TO 3/4" WIDE.
- PRODUCT MARKINGS:
cULus logo and statement:
"SUITABLE FOR USE IN AIR HANDLING SPACES IN ACCORDANCE WITH SECTION 300-22 (C) & (D) OF THE NATIONAL ELECTRIC CODE."
ULC logo and statement:
"IN ACCORDANCE WITH CAN/ULC S-102.2-10 IN SINGLE UNITS OR PAIRS, 4 ft (1220mm) MIN. SPACING, FSR=0, SDC=35."

TITLE									
J-PRO J-HOOK WITH 360° SCREW-ON BEAM CLAMP (JP131SBC50RB_---)									
CUSTOMER DRAWING									
ITEM REVISION NAME			121031AN/00						
DATASET FILE NAME			121031AN_DC_C11013/00B						
UNLESS OTHERWISE SPECIFIED, DIMENSIONAL TOLERANCES ARE: IN (mm)									
.x ± .1 [2.54]		.xxx ± .005 [0.127]		MATERIAL: SEE NOTE 2					
.xx ± .01 [0.25]		ANGLES ± 5°							
			THIRD ANGLE PROJECTION						
DRAWN BY		DATE	CHK	SCALE	DRAWING NUMBER:				
DBLA		1/25/2013	KLN	NONE	C11013				
REV		DATE	BY	CHK	APR	DESCRIPTION	ECN	SHT 1 OF 1	SIZE
									A

D101000A/12