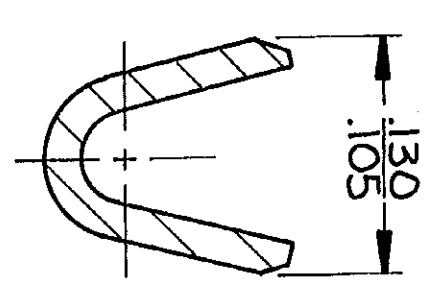
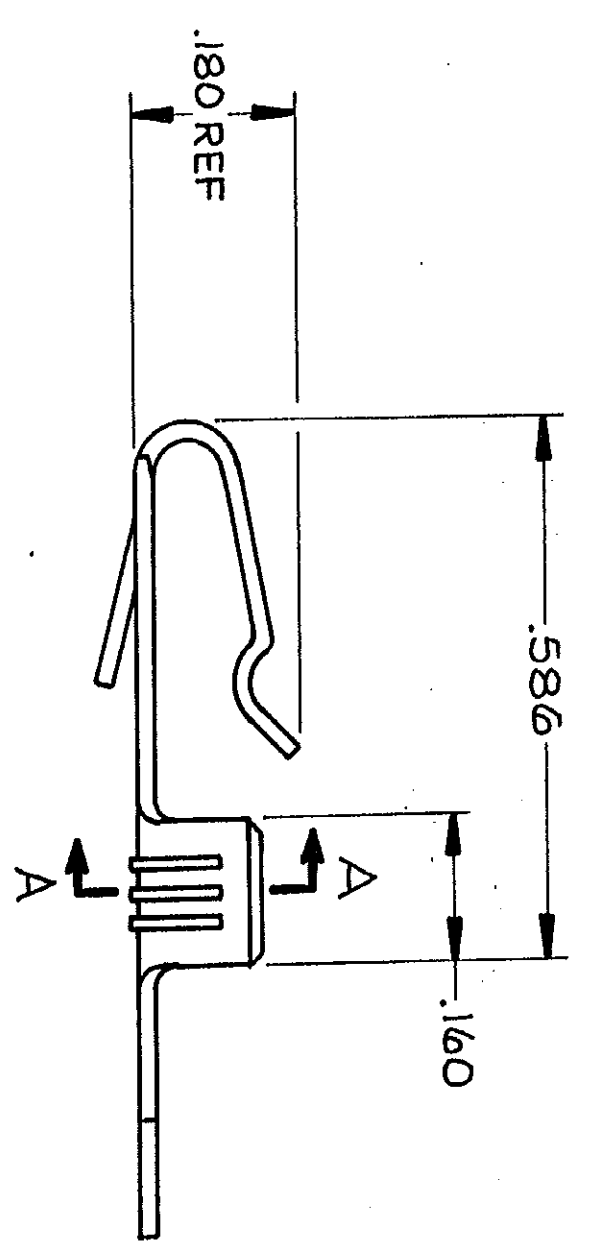
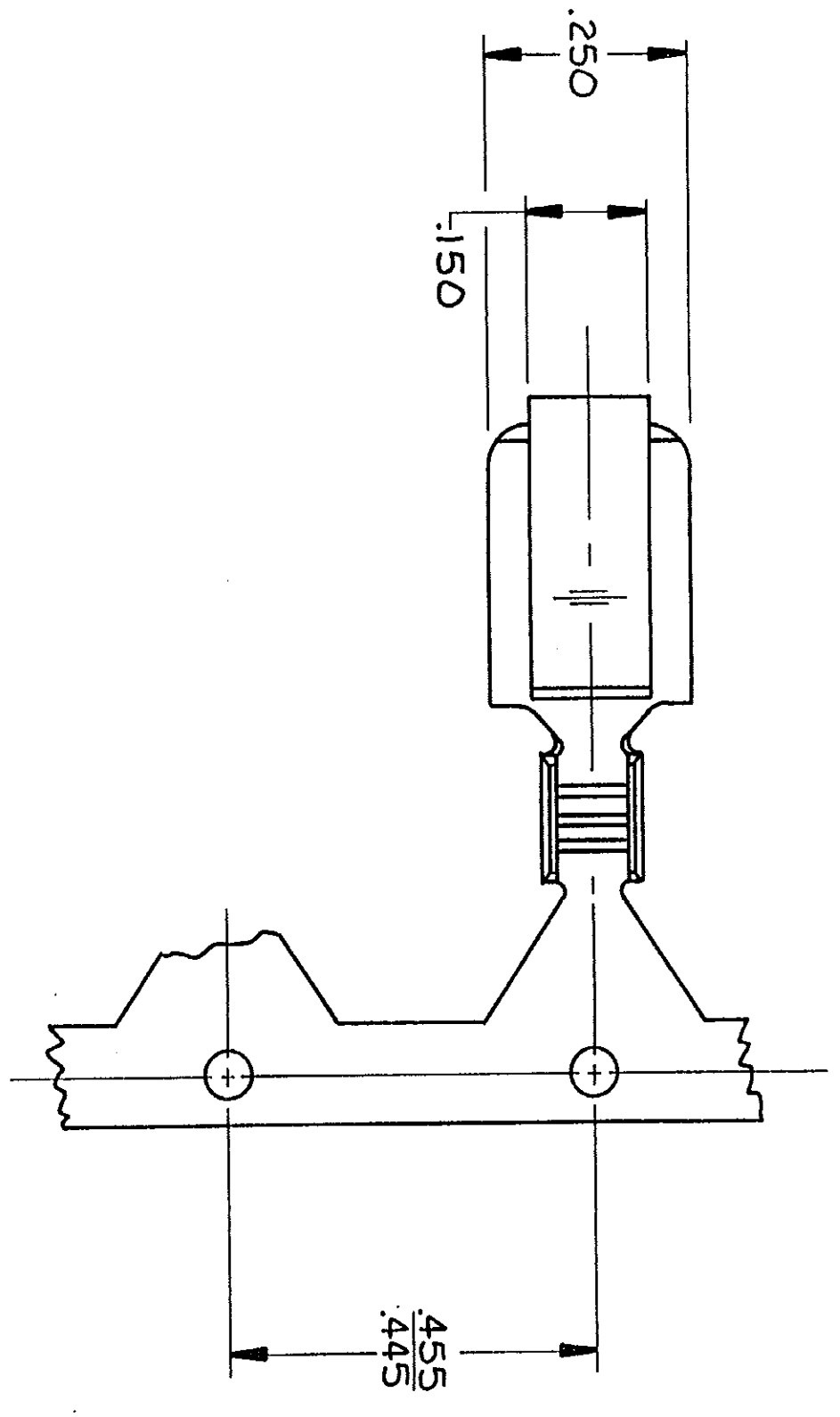


THIS DRAWING IS UNPUBLISHED. RELEASED FOR PUBLICATION
 © COPYRIGHT 1987 BY AMP INCORPORATED, HARRISBURG, PA. ALL INTERNATIONAL RIGHTS RESERVED. AMP PRODUCTS MAY BE COVERED BY U.S. AND FOREIGN PATENTS AND/OR PATENTS PENDING.

LOC	DIST	REVISIONS	DATE	APPD
AF	50			
P	F	ZONE LTR		
		C	REDWN & REACTIVED-1 PER PR 87-4	2-13-87 KM/RS
		D	REV PER AF-8117	9/24/82 PWT/STP



SECTION A-A
SCALE 10:1

UNLESS OTHERWISE SPECIFIED
 DIMENSIONS ARE IN INCHES
 TOLERANCES ON
 2 PL DEC ± .015
 3 PL DEC ± .015
 ANGLES ±

MATERIAL
 .020 BRASS

DR	W. W. W. 2-13-87	NAME	TERMINAL, FLUORESCENT LAMP SOCKET	
CHK	R. J. J. 2-16-87	WIRE SIZE	20-16 AWG	MINI
APPD	P. M. M. 2/16/87	APPLICATOR TYPE		640483-1
PRODUCT SPEC		PART NO		
FINISH		SIZE	C	FSCM NO
APPLICATION SPEC		SCALE	5:1	DRAWING NO
WEIGHT				640483
				SHEET 1 OF 1

AMP | AMP INCORPORATED
 Harrisburg, Pa. 17105