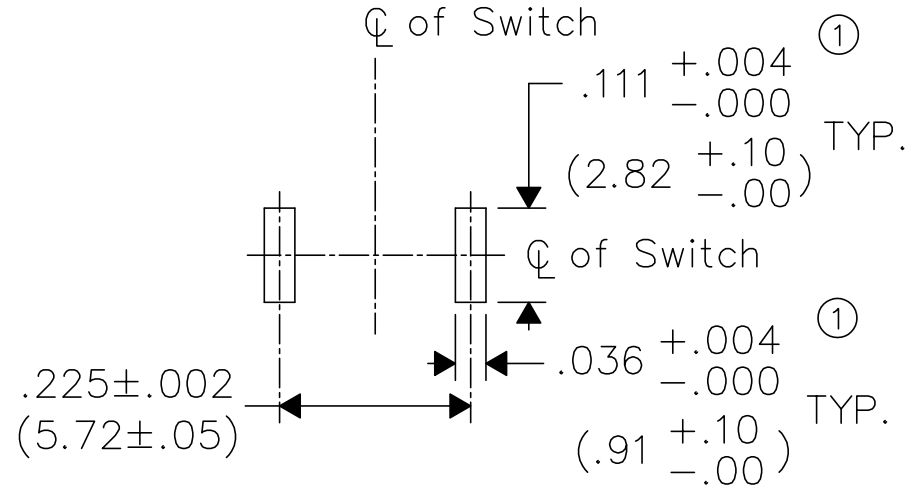


P.C. LAYOUT



FORM-B4	REVISIONS	1
		REDRAWN, REMOVED NOTE 1. ADDED TYP. 2 PLACES. DGW 3-20-2002 Mar. 26, 2002

PDF File Made	CW INDUSTRIES Southampton, Pa. 18966	
	TOLERANCES UNLESS OTHERWISE SPECIFIED	
	2 Place Decimal ±.010	METRIC
	3 Place Decimal ±.005	1 Place Dec. ±.25mm
	Angles ±1°	2 Place Dec. ±.13mm
Made for:	CW IND.	Division: SWITCH
Drawn by:	DGW 3-20-2002	
Checked by:	GG 3-26-02	
Approval:	BF 3-25-02	Dwg. No. G-105-0513

Title: SWIDGET JR. ASSEMBLY (S.P.-S.T.)
Dwg. No. G-105-0513