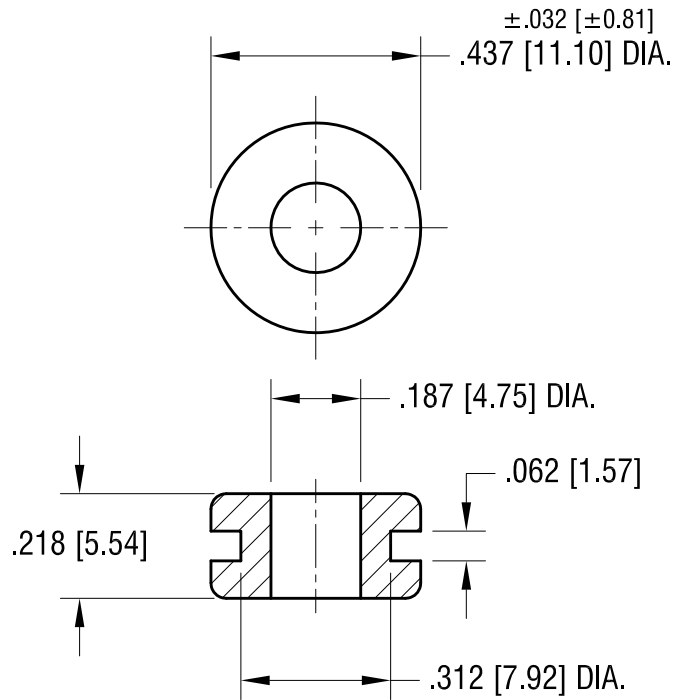
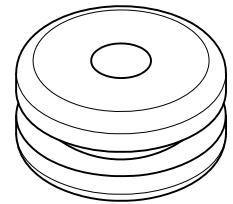


THIS DOCUMENT IS THE PROPERTY OF  
KEYSTONE ELECTRONICS CORP. AND  
SHALL NOT BE REPRODUCED, DISTRIBUTED  
OR USED AS A BASIS FOR MANUFACTURE  
WITHOUT PRIOR WRITTEN PERMISSION  
FROM KEYSTONE ELECTRONICS CORP.



**KEYSTONE ELECTRONICS CORP.**

www.keyelco.com • ASTORIA, N.Y. 11105-2017 • Tel (718) 956-8900

PART NAME		RUBBER GROMMET	
MATERIAL		BUNA 'N'	
FINISH	-	DRN BY	BOONE
		APP'D	LN
		DATE	9.16.96
		SCALE	2.5X
TOLERANCES	INCH [MM]	CODE	DWG NO.
DECIMAL	$\pm .020$ [ $\pm 0.50$ ]	C	731
ANGULAR	$\pm 1^\circ$		
UNLESS OTHERWISE SPECIFIED			

5.18.10	CHANGE AS PER ECN 10-036	A
DATE	DESCRIPTION	REV.