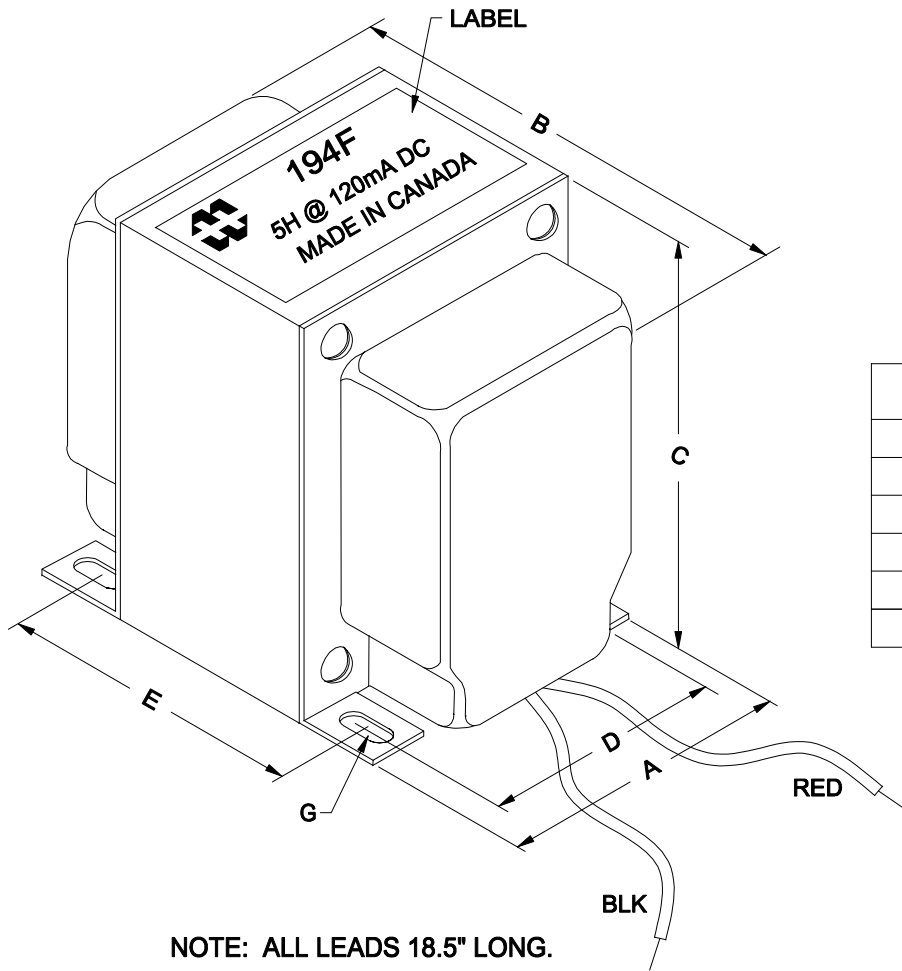


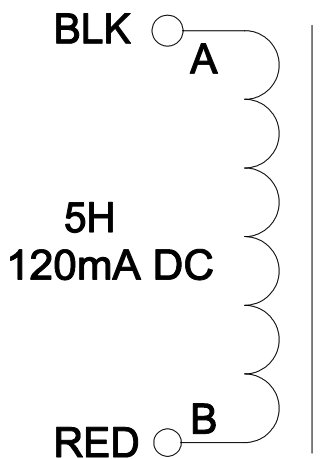
194F



DIMENSIONS:	
A	2.188" ±0.063
B	2.573" ±0.125
C	2.625" ±0.063
D	1.750" ±0.063
E	1.560" ±0.063
G	0.244" x 0.325" ±0.015

NOTE: ALL LEADS 18.5" LONG.

For JCP and JCM800



**ELECTRICAL DATA:**

DCR	@ 20C, BLK - RED = 115 Ω ±15%
Pri. Inductance	5H @ 120mA DC

**HAMMOND ELECTRONICS**  
 52 RANKIN PLACE,  
 WATERLOO, ONTARIO, N2L 3Z5.  
 PHONE (519) 886-6181  
 FAX # (519) 886-9540

TITLE			
<b>CHOKE OR REACTOR TRANSFORMER</b>			
		DR BY	D.Hutt
		DATE	08/08/12
NO	DATE	REVISION	DIM IN(X)MM( )

194F