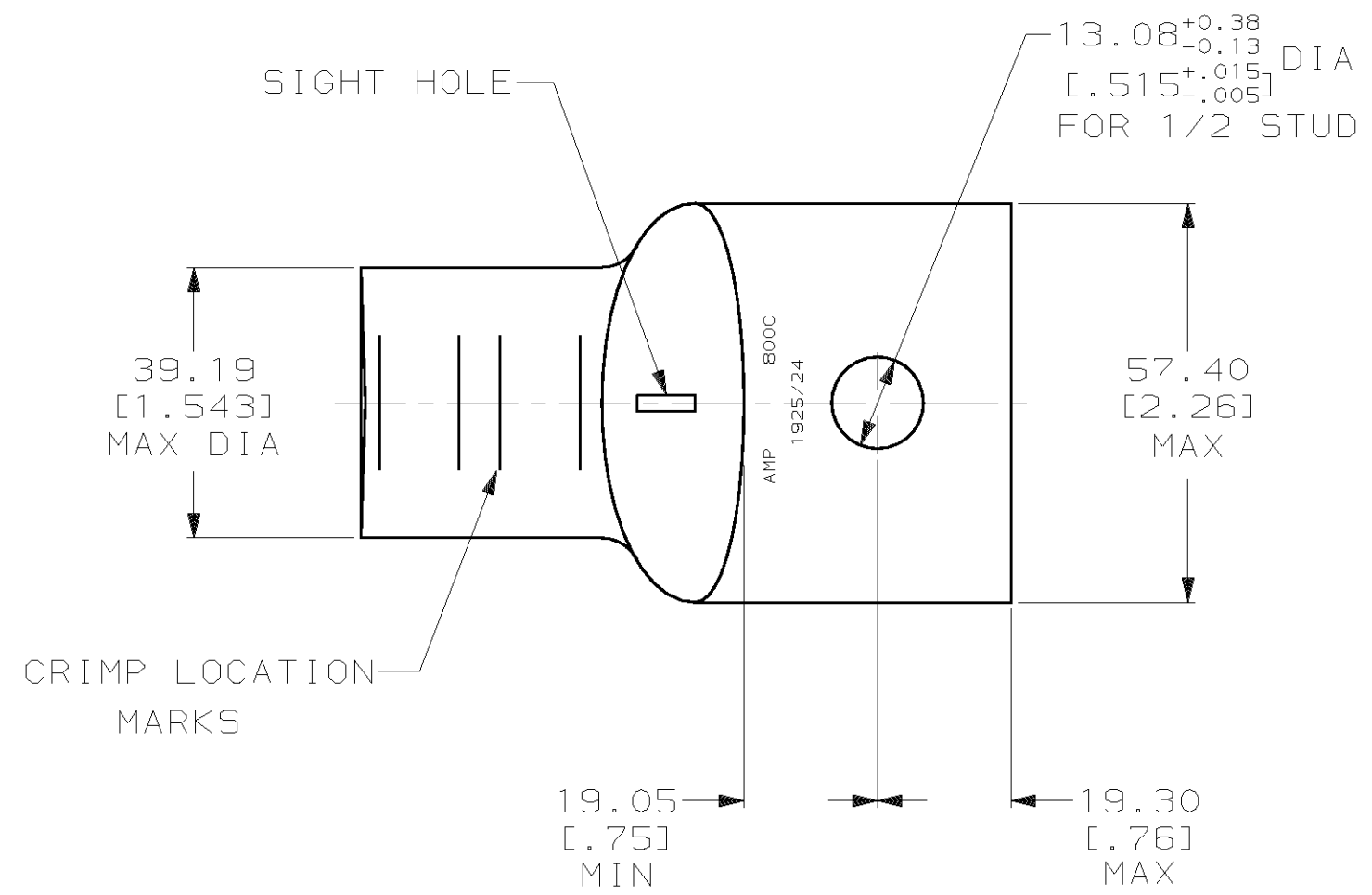
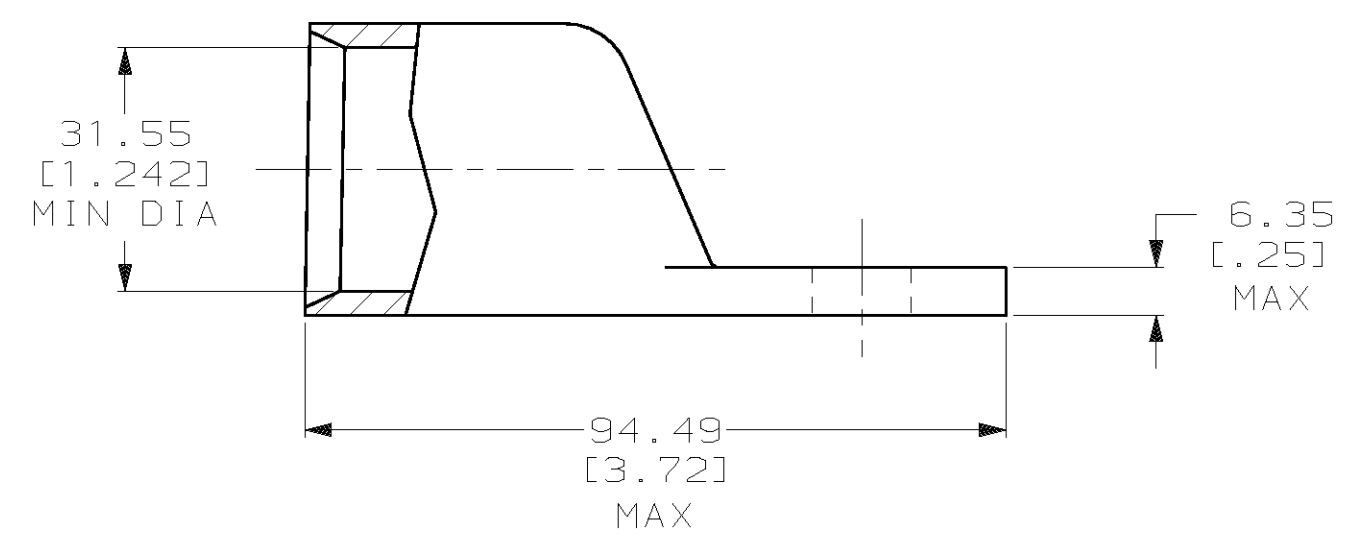


THIS DRAWING IS UNPUBLISHED. RELEASED FOR PUBLICATION, 19 .
 © COPYRIGHT 19 BY AMP INCORPORATED. ALL INTERNATIONAL RIGHTS RESERVED.

LOC		DIST		REVISIONS				
ZONE	LTR	DESCRIPTION	DATE	APPD				
G	86	P	F	K	REV PER 063A-0561-01	09OCT02	JR MS	




- 1 CIRCULAR MIL RANGE: 750-850 MCM
- 2 TIN PL 0.00381 [.000150] MIN THK PER MIL-T-10727



326405

326405
PART NO

DO NOT SCALE PRINT. UNLESS SPECIFIED DIMENSIONS IN mm [INCHES] TOLERANCES ON : 2 PLC DEC ± 0.51 [.020] 3 PLC DEC ± - ANGLES ± -		DR 9/17/91 DK SCHRUM		 AMP INCORPORATED Harrisburg, Pa. 17105	
MATERIAL ANNEALED COPPER ASTM B-75		CHK 9/17/91 AJ KAUFMAN			
FINISH △		APPD 9/18/91 WJ VOCKROTH		NAME TERMINAL, AMPPOWER™ WIRE SIZE: 405.0mm ² [800]MCM	
APPLICATION SPEC -		APPD 9/18/91 AJ ADELMANN		DRAWING NO 326405	
WEIGHT .593 LB		PRODUCT SPEC -		SCALE 1:1	
		APPLICATION SPEC -		CAGE CODE 00779	
				SHEET 1 OF 1	

METRIC