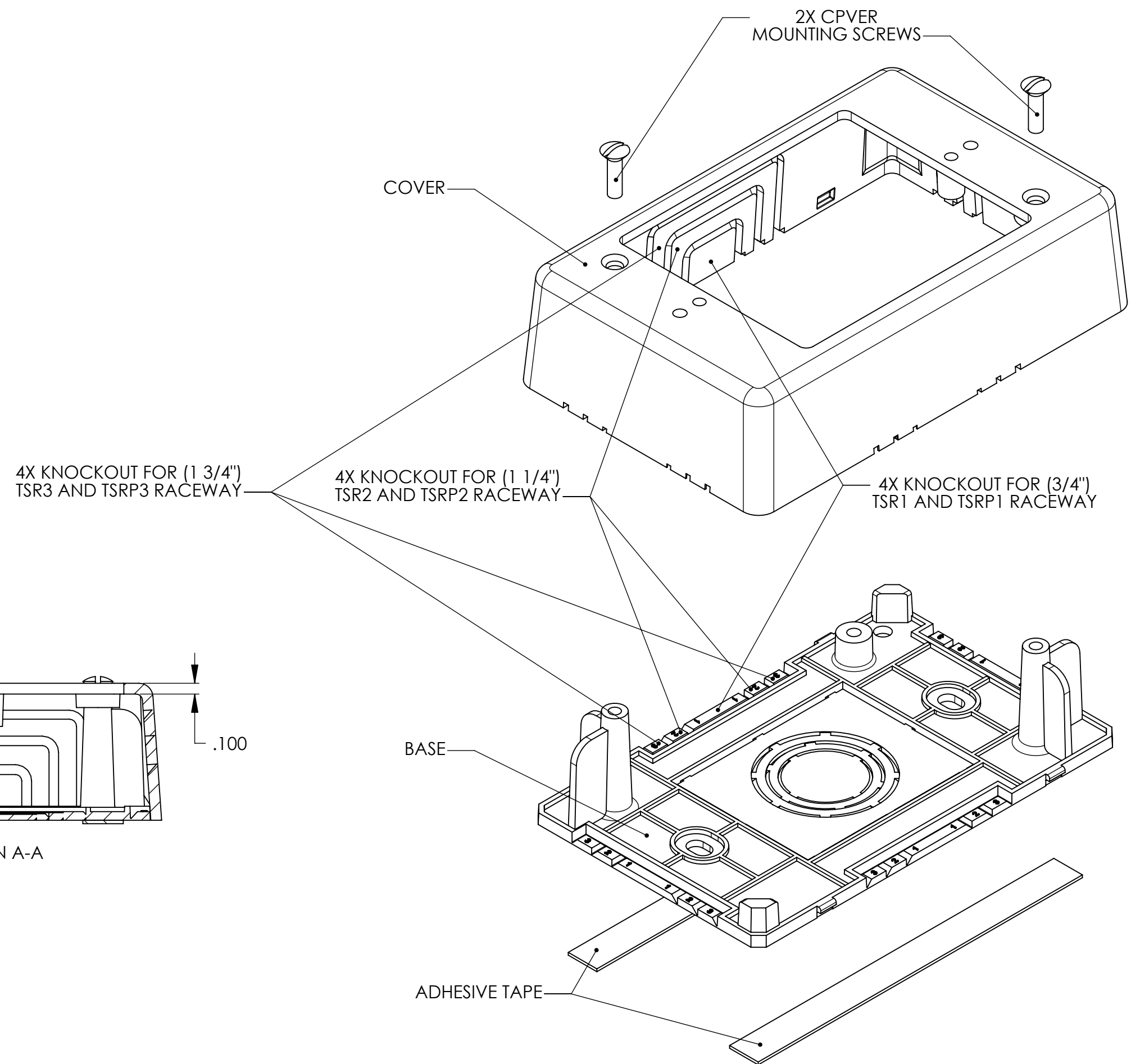


BOTTOM VIEW SHOWN WITHOUT ADHESIVE TAPE



**PART NO. DESCRIPTION**

TSR\_-JB1

TSRP_-JB1	POWER-RATED SYSTEM
TSR_-JB1	LOW VOLTAGE SYSTEM
<b>PART NO.</b>	<b>DESCRIPTION</b>

COLOR:  
I = IVORY  
FW = OFFICE WHITE  
W = WHITE  
(FOR OTHER COLORS  
CONTACT FACTORY)

REDUCED  
NO SCALE

**HellermannTyton**  
ALL PROPRIETARY RIGHTS IN THE SUBJECT MATTER SHOWN ON THIS DRAWING ARE EXCLUSIVE PROPERTY OF HELLERMANN TYTON

name	date	city, state

- NOTES**
- FEATURES**
- ADHESIVE BACKED BASE FOR EASY PLACEMENT OF BOX DURING ASSEMBLY
  - SCREWS PROVIDED FOR MOUNTING OF COVER TO BASE
  - KNOCKOUT ENTRIES FOR ALL 3 SIZES OF TSR AND TSRP RACEWAY
  - LOW PROFILE
  - PAINABLE WITH LATEX BASED PAINT
  - FACE PLATE MOUNTS TO COVER DIRECTLY FOR EASY ACCESS
  - TWO DIFFERENT SETS OF MOUNTING HOLES FOR SURFACE MOUNT OR FOR MOUNTING DIRECTLY TO A FLUSH WALL JUNCTION BOX VIA LARGE RECTANGULAR KNOCKOUT IN BASE
  - BASE IS RIBBED FOR STABILITY

**REVISION**

level	01
by	PLN
date	07/17/02
ECN #	003274
part level	-

**TOLERANCES**

.xxxx	= ±.0005
.xxx	= ±.005
.xx	= ±.01
.x	= ±.03
∠	= ±0.5°
unless otherwise specified	
units	inches

**PART**

number	SEE CHART	phase	PRODUCTION
name	TSR-JB1 & TSRP-JB1 JUNCTION BOX SURFACE RACEWAY CONNECTOR		
material	PVC		

**DRAWING**

format version N	C	CAD	SW	scale	1:1
computer file number	DT3026303CST_01	previous number	DT\CST\3026303A	checked	approved
drawn	K.A.C.	checked	K.A.C.	date	07/23/02
type	CUSTOMER	sheet	1 of 1	number	DT3026303CST