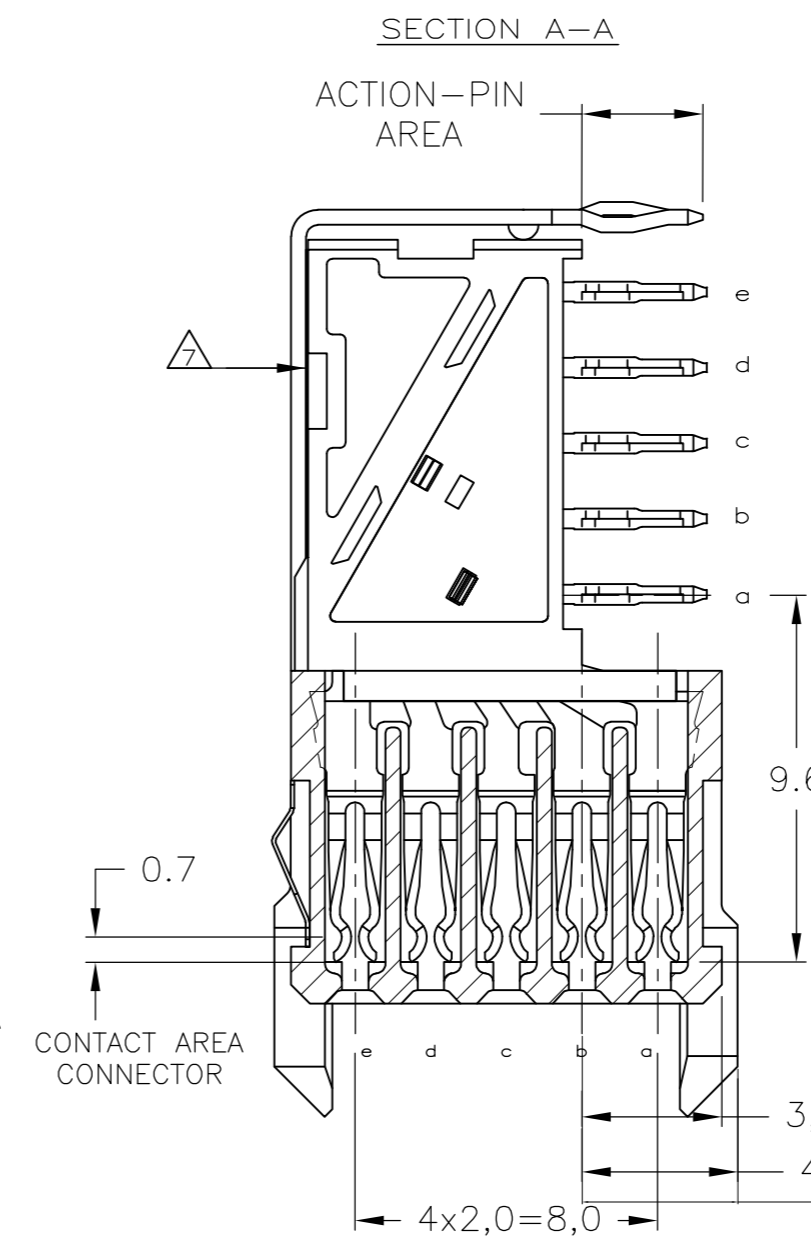
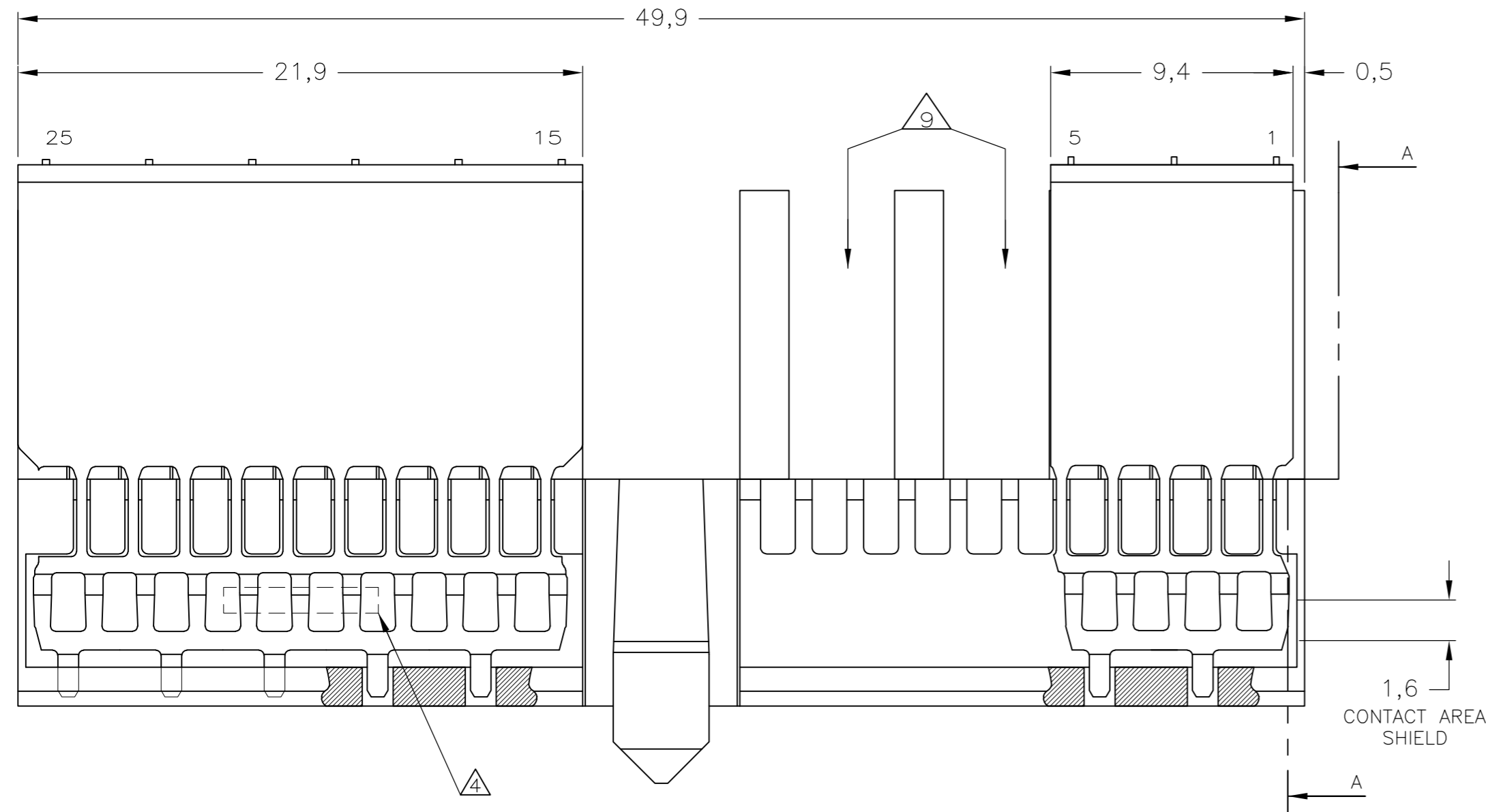
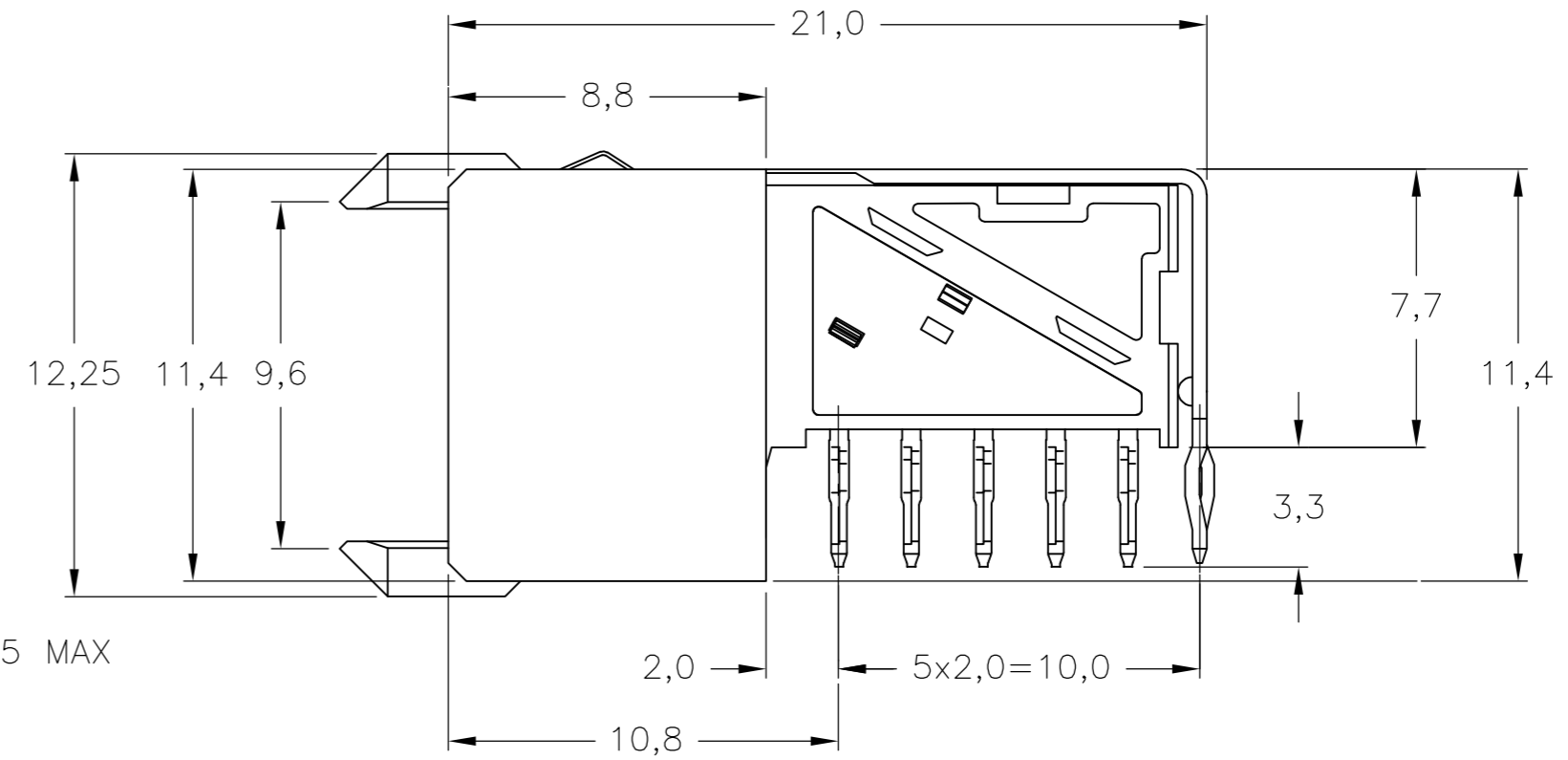
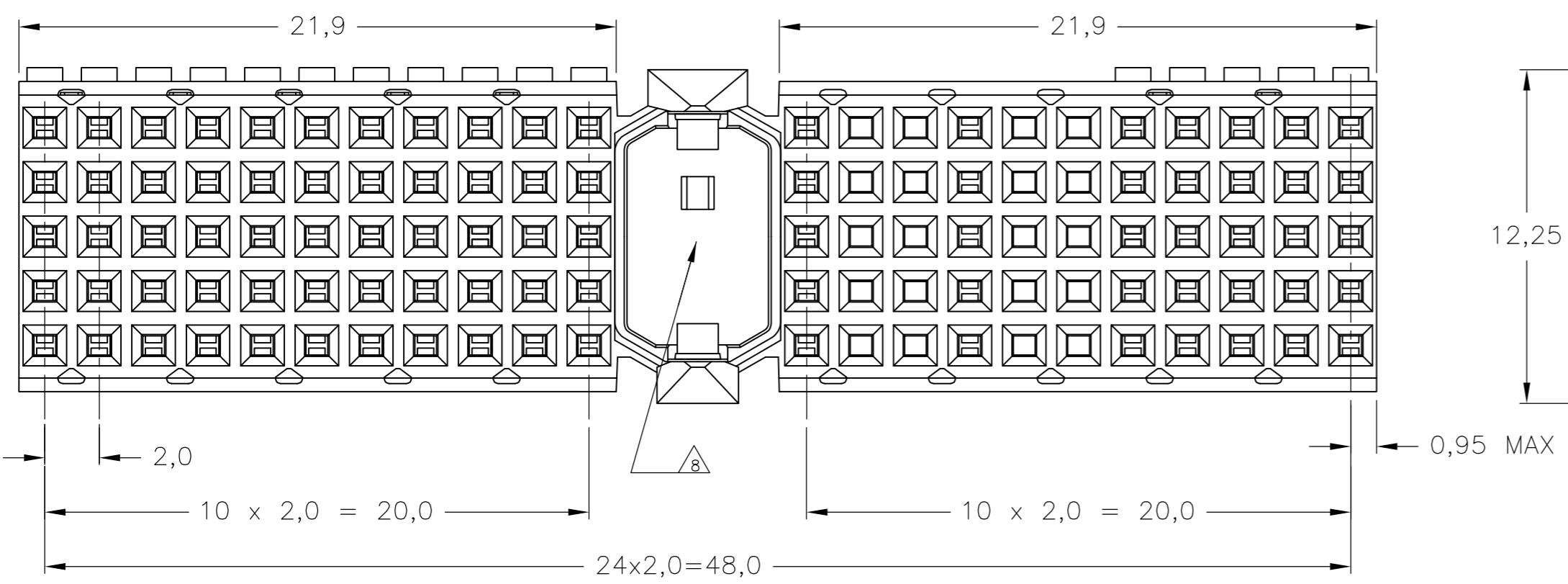


THIS DRAWING IS UNPUBLISHED. RELEASED FOR PUBLICATION
 © COPYRIGHT BY TYCO ELECTRONICS CORPORATION. ALL RIGHTS RESERVED.

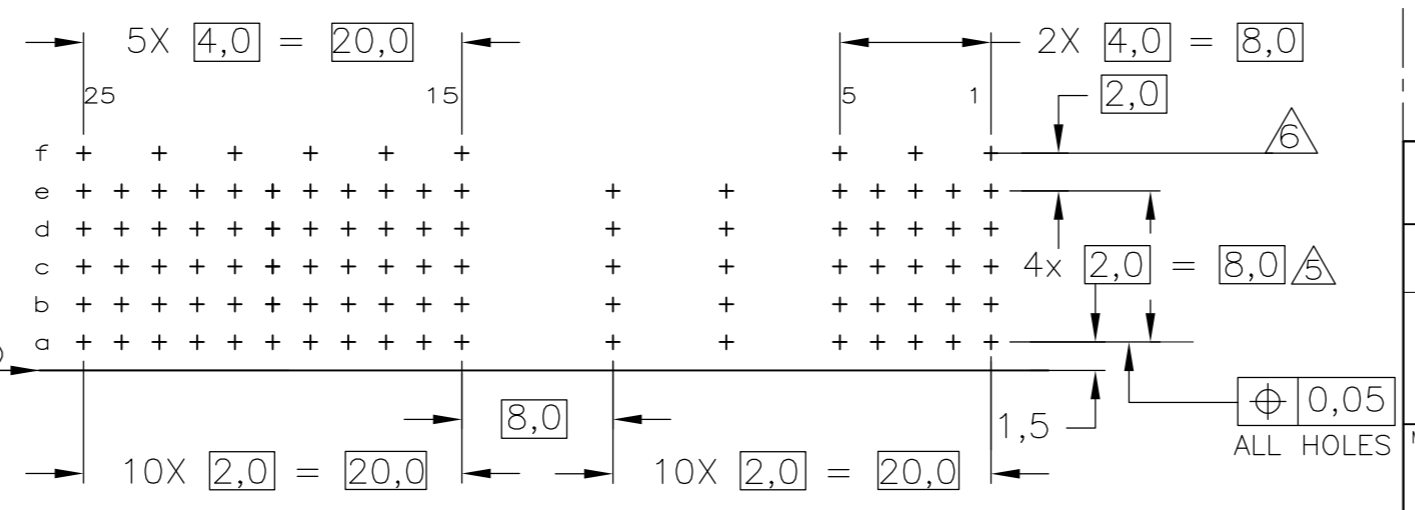
LOC		DIST		REVISIONS			
P	LTR	DESCRIPTION	DATE	DWN	APVD		
B		REVISED PER ECO-11-004288	28FEB2011	SY	CW		



- NOTES:
- ① GENERAL PLATING SPECIFICATION: UNDERPLATING (ENTIRE CONTACT): 1.27µm NICKEL MIN. AND ACTION PIN: 0.5µm TIN MIN. FOR PLATING OF MATING SURFACES SEE APPLICABLE SPECIFICATION REFERENCE FOR EACH DASH NUMBER.
 - ② PLATING SHIELD:
CONTACT AREA: 0,76µm Au MIN.
ACTION PIN : 0,5µm Sn MIN.
REMAINDER : Ni
 - ③ MATERIAL CONTACTS AND SHIELDS: PHOSPHORBRONZE
MATERIAL HOUSING: GLASSFILLED POLYESTER (GRAY)
 - ④ ASSEMBLY PRINTED WITH P/N AND DATECODE
THE MARKING CAN APPEAR ON THE FRONT SIDE OR THE BACK SIDE
 - ⑤ HOLE PATTERN FOR FEMALE CONNECTOR
90 PLATED-THROUGH HOLES AT 2x2mm SQUARE GRID
 - ⑥ ROW "f" 9 PLATED THROUGH HOLES FOR BOTH UPPERSHIELDS
 - ⑦ SHIELDS MOUNTED ON CONNECTOR WITH DOUBLE SIDED ADHESIVE TAPE
 - ⑧ AREA RESERVED FOR KEYING PART (BASIC P.N. 100526)
 - ⑨ NO CONTACTS ON COLUMNS 6-7 AND 9-10
 - ⑩ CONFORMS TO ALL TESTING ACCORDING IEC 61076-4-101 PERFORMANCE LEVEL 2.



COMPONENT SIDE AS SHOWN
 RECOMMENDED PCB-HOLE LAY-OUT
 SCALE 2,5:1



P.C.B. HOLE DIM. ACTION PIN
 FOR DETAILS SEE
 APPLICATION SPECIFICATION

THIS DRAWING IS A CONTROLLED DOCUMENT.		DWN K.N.KIRAN 24AUG04	FINISH ①②③	5352359-1
DIMENSIONS: mm		CHK B.MOOIJ 22MAR2005	MATERIAL ④	PARTNUMBER
TOLERANCES UNLESS OTHERWISE SPECIFIED:		APVD B.MOOIJ 22MAR2005	Tyco Electronics Corporation 's-Hertogenbosch,5222AR-32	
0 PLC ± - 1 PLC ± - 2 PLC ± - 3 PLC ± - 4 PLC ± - ANGLES ± - FINISH		NAME Z-PACK 2mm HM TYPE A - 16 COLUMNS (J4 VERSION) PRE-SHIELDED RECEPTACLE	RESTRICTED TO	
MATERIAL		APPLICATION SPEC 108-19082	SIZE A2	CAGE CODE 00779
		WEIGHT -	DRAWING NO C=5352359	
		CUSTOMER DRAWING		
		SCALE 5:1	SHEET 1 OF 1	REV B