

AMPHENOL PART NUMBER CONFIGURATION

UE86-3G1420-X0X61

LIGHT PIPE OPTION

- 0 - NO LIGHT PIPE
- 1 - 4 LP PER 2X1, NORMAL ORIENTATION
- 2 - 2 INNER LP PER 2X1, NORMAL ORIENTATION
- 3 - 2 OUTER LP PER 2X1, NORMAL ORIENTATION
- 4 - 4 LP PER 2X1, REVERSING ORIENTATION
- 5 - 2 INNER LP PER 2X1, REVERSING ORIENTATION
- 6 - 2 OUTER LP PER 2X1, REVERSING ORIENTATION
- 7 - 3 LP PER 2X1, 2 OUTER LP, NORMAL ORIENTATION
- 8 - 3 LP PER 2X1, 2 OUTER LP, REVERSING ORIENTATION

PACKAGING

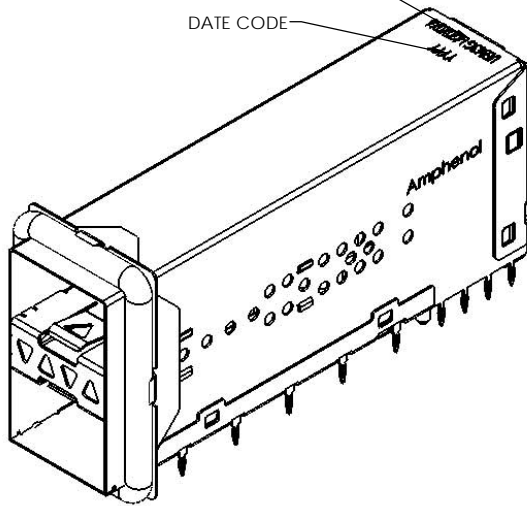
- 1 - TRAY PACKAGING (STACKED)

PLATING OPTIONS FOR CONNECTOR

- 2 - 30µ" GOLD PLATING ON MATING AREA
15-100µ" MATTE TIN ON TERMINATION
- 3 - 30µ" GOLD PLATING ON MATING AREA
150-300µ" MATTE TIN ON TERMINATION
- 5 - 15µ" GOLD PLATING ON MATING AREA
15-100µ" MATTE TIN ON TERMINATION
- 6 - 15µ" GOLD PLATING ON MATING AREA
150-300µ" MATTE TIN ON TERMINATION

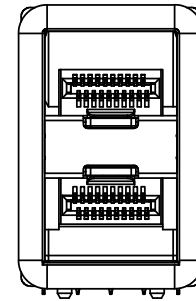
PART NUMBER
(LAST DIGIT INDICATING
PACKAGING TYPE, NOT
PRINTED ON THE PART)

DATE CODE

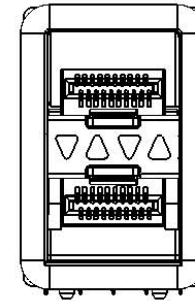


MATERIAL: (RoHS COMPLIANT)

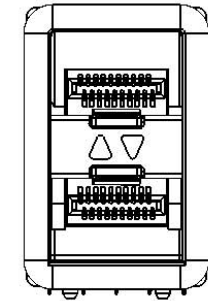
- 1. CAGE - PRESS FIT: COPPER ALLOY (NICKEL SILVER)
- 2. CONNECTOR - PRESS FIT:
- PLASTIC HOUSING: LCP, FLAMMABILITY RATING UL94-V0
- CONTACTS: PHOSPHOR BRONZE
- 3. LIGHT PIPE: CLEAR POLYCARBONATE, FLAMMABILITY RATING UL94-V0
- 4. PACKAGING: TRAY PACKAGING
- 5. TEMPERATURE RANGE: -40°C TO +85°C
- 6. EMI GASKET: CONDUCTIVE ELASTOMER UL94-V0



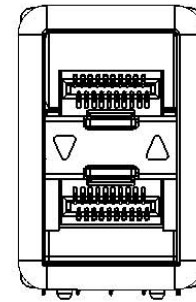
NO LIGHT PIPE
UE86-3G1420-00X61



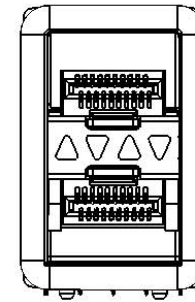
4 LIGHT PIPES
UE86-3G1420-10X61



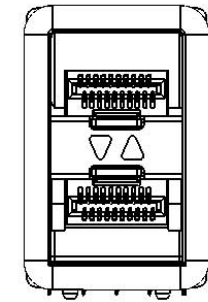
2 INNER LIGHT PIPES
UE86-3G1420-20X61



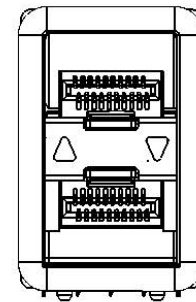
2 OUTER LIGHT PIPES
UE86-3G1420-30X61



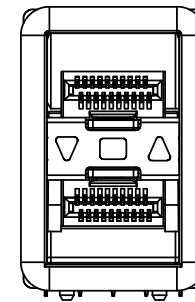
4 LIGHT PIPES UPSIDE DOWN
UE86-3G1420-40X61



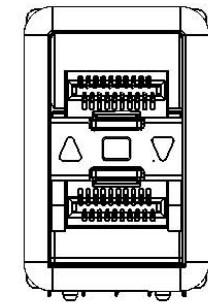
2 INNER LIGHT PIPES UPSIDE DOWN
UE86-3G1420-50X61



2 OUTER LIGHT PIPES UPSIDE DOWN
UE86-3G1420-60X61



3 LIGHT PIPES
UE86-3G1420-70X61

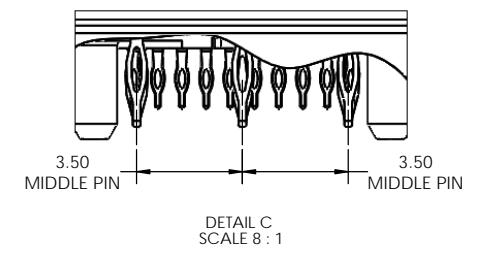
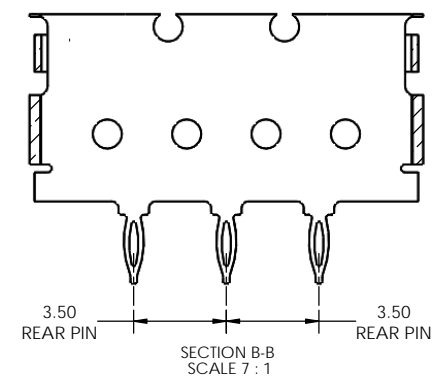
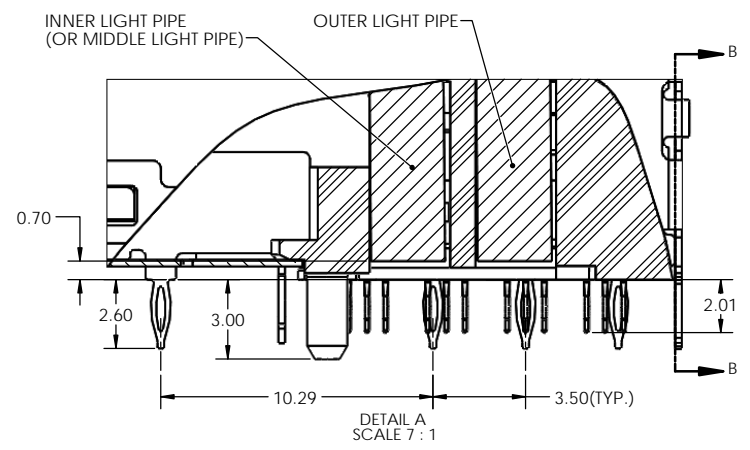
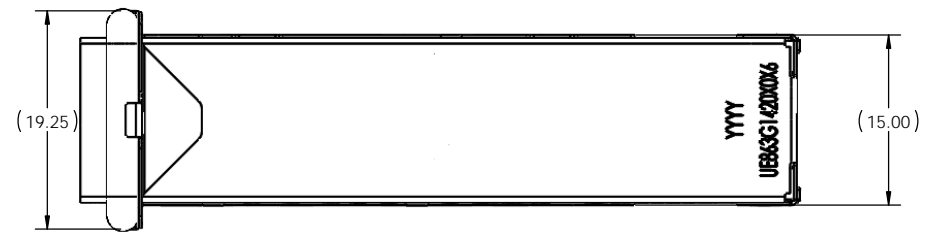
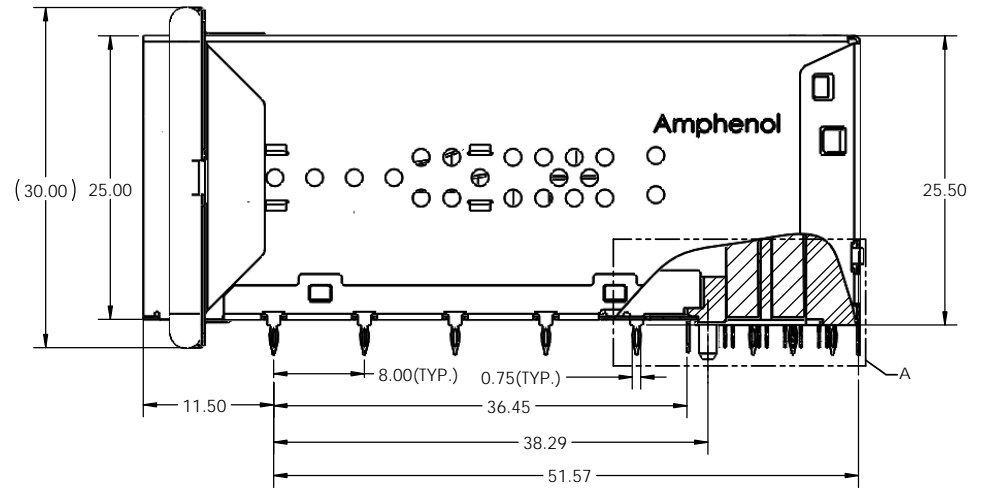
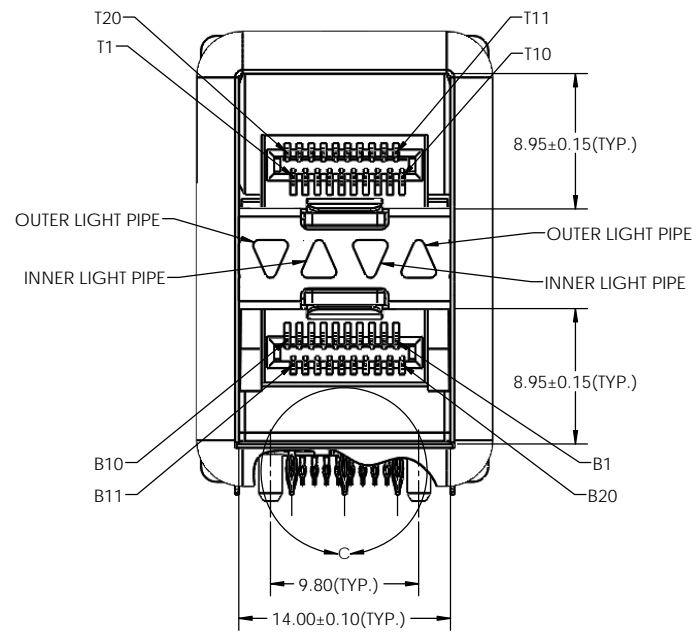


3 LIGHT PIPES UPSIDE DOWN
UE86-3G1420-80X61

REVISIONS				
REV.	ECN	DESCRIPTION	DATE	APPROVED
D		UPDATE NOTES	AUG 15/14	J.SI
E		CHANGED PCB THICKNESS	NOV 03/15	J.SI
F		REMOVED DIMS. ZONE A2, SHEET 2 OF 4	OCT 28/16	J.SI

UNLESS SPECIFIED OTHERWISE		DRAWN	P. OU	NOV 03/15	Amphenol High Speed Interconnects A Division of Amphenol Corp. www.amphenolcanada.com
DIMENSIONS ARE IN MILLIMETERS		CHECKED	J. SI	NOV 03/15	
REFERENCE IN PARENTHESES		M.E. APPD			2X1 SFP ULTRAPORT WITH LIGHT PIPE OPTIONS AND EMI GASKET
GENERAL TOLERANCES		Q.A. APPD			
1 DECIMAL PLACE	±0.25	DWG APPD	J.SI	NOV03/15	
2 DECIMAL PLACE	±0.15	MATERIAL AND FINISH	SEE NOTES		
3 DECIMAL PLACE	N/A	REF.	ECN Exxxxx		DWG. NO.
ANGULAR DEGREES	±1°	THIRD ANGLE PROJECTION			P-UE86-3G1420-X0X61 REV F
ENG. REL. NO.		DO NOT SCALE DRAWING	CODE ID NO.	03554	DWG SIZE: C
			SCALE: 2.5:1	SHEET 1 OF 4	

REVISIONS				
REV.	ECN	DESCRIPTION	DATE	APPROVED
D		UPDATE NOTES	AUG 15/14	J.SI
E		CHANGED PCB THICKNESS	NOV 03/15	J.SI
F		REMOVED DIMS. ZONE A2, SHEET 2 OF 4	OCT 28/16	J.SI



THIS DOCUMENT CONTAINS PROPRIETARY INFORMATION AND SUCH INFORMATION MAY NOT BE DISCLOSED TO OTHERS FOR ANY PURPOSE OR USED FOR MANUFACTURING PURPOSES WITHOUT WRITTEN PERMISSION FROM AMPHENOL CANADA CORP.

UNLESS SPECIFIED OTHERWISE	DRAWN	P. OU	NOV 03/15
DIMENSIONS ARE IN MILLIMETERS	CHECKED	J. SI	NOV 03/15
REFERENCE IN PARENTHESES	M.E. APP'D		
GENERAL TOLERANCES	Q.A. APP'D		
1 DECIMAL PLACE	±0.25	DWG APP'D	J.SI NOV03/15
2 DECIMAL PLACE	±0.15	MATERIAL AND FINISH	SEE NOTES
3 DECIMAL PLACE	N/A	REF.	ECN Exxxxx
ANGULAR DEGREES	±1°	THIRD ANGLE PROJECTION	DO NOT SCALE DRAWING
ENG. REL. NO.			

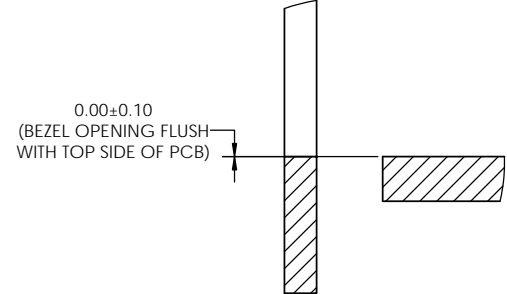
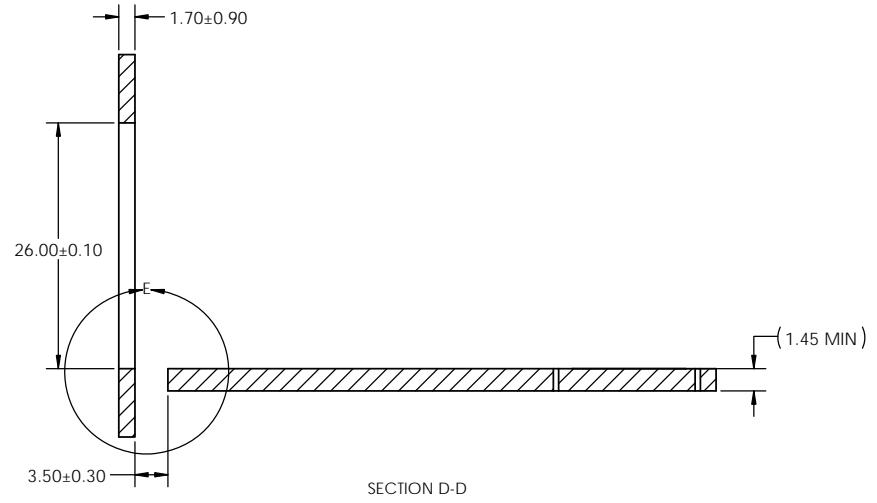
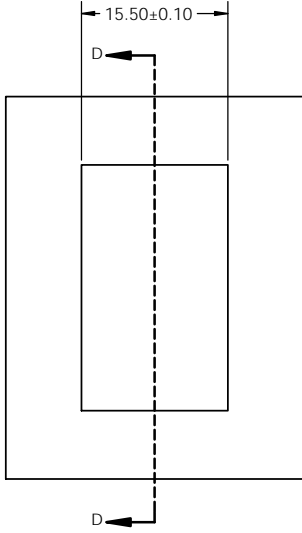
Amphenol High Speed Interconnects
 A Division of Amphenol Corp. www.amphenolcanada.com

2X1 SFP ULTRAPORT WITH LIGHT PIPE
 OPTIONS AND EMI GASKET

DWG. NO. P-UE86-3G1420-X0X61

CODE ID NO. 03554 | DWG SIZE: C | SCALE: 3:1 | SHEET 2 OF 4

REVISIONS				
REV.	ECN	DESCRIPTION	DATE	APPROVED
D		UPDATE NOTES	AUG 15/14	J.SI
E		CHANGED PCB THICKNESS	NOV 03/15	J.SI
F		REMOVED DIMS. ZONE A2, SHEET 2 OF 4	OCT 28/16	J.SI



DETAIL E
SCALE 5 : 1

THIS DOCUMENT CONTAINS PROPRIETARY INFORMATION AND SUCH INFORMATION MAY NOT BE DISCLOSED TO OTHERS FOR ANY PURPOSE OR USED FOR MANUFACTURING PURPOSES WITHOUT WRITTEN PERMISSION FROM AMPHENOL CANADA CORP.

UNLESS SPECIFIED OTHERWISE	DRAWN	P. OU	NOV 03/15
DIMENSIONS ARE IN MILLIMETERS	CHECKED	J. SI	NOV 03/15
REFERENCE IN PARENTHESES	M.E. APP'D		
GENERAL TOLERANCES	Q.A. APP'D		
1 DECIMAL PLACE ±0.25	DWG APP'D	J.SI	NOV03/15
2 DECIMAL PLACE ±0.15	MATERIAL AND FINISH	SEE NOTES	
3 DECIMAL PLACE N/A	REF.	ECN Exxxxx	
ANGULAR DEGREES ±1°	THIRD ANGLE PROJECTION	DO NOT SCALE DRAWING	
ENG. REL. NO.			

Amphenol High Speed Interconnects
 A Division of Amphenol Corp. www.amphenolcanada.com

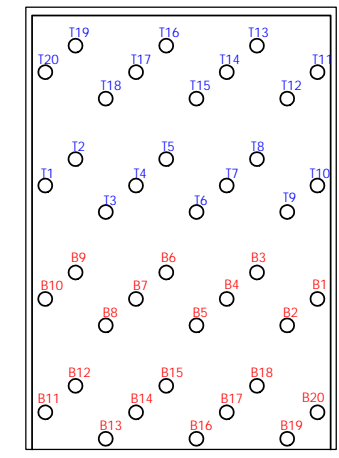
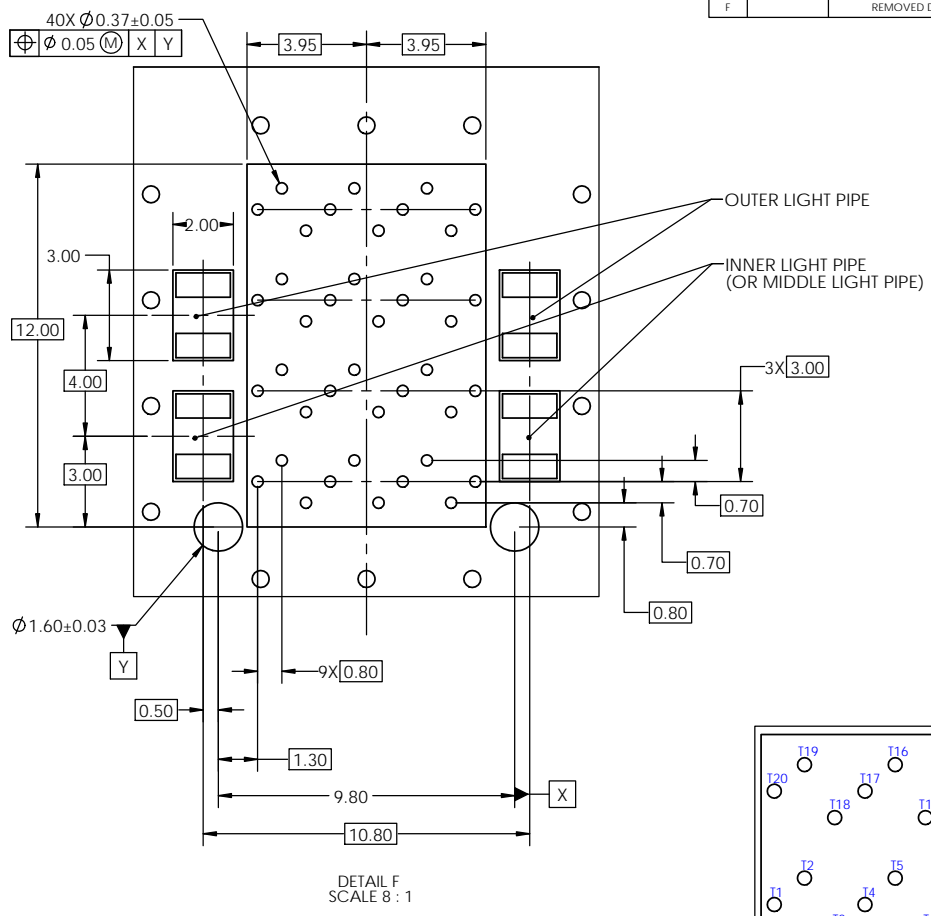
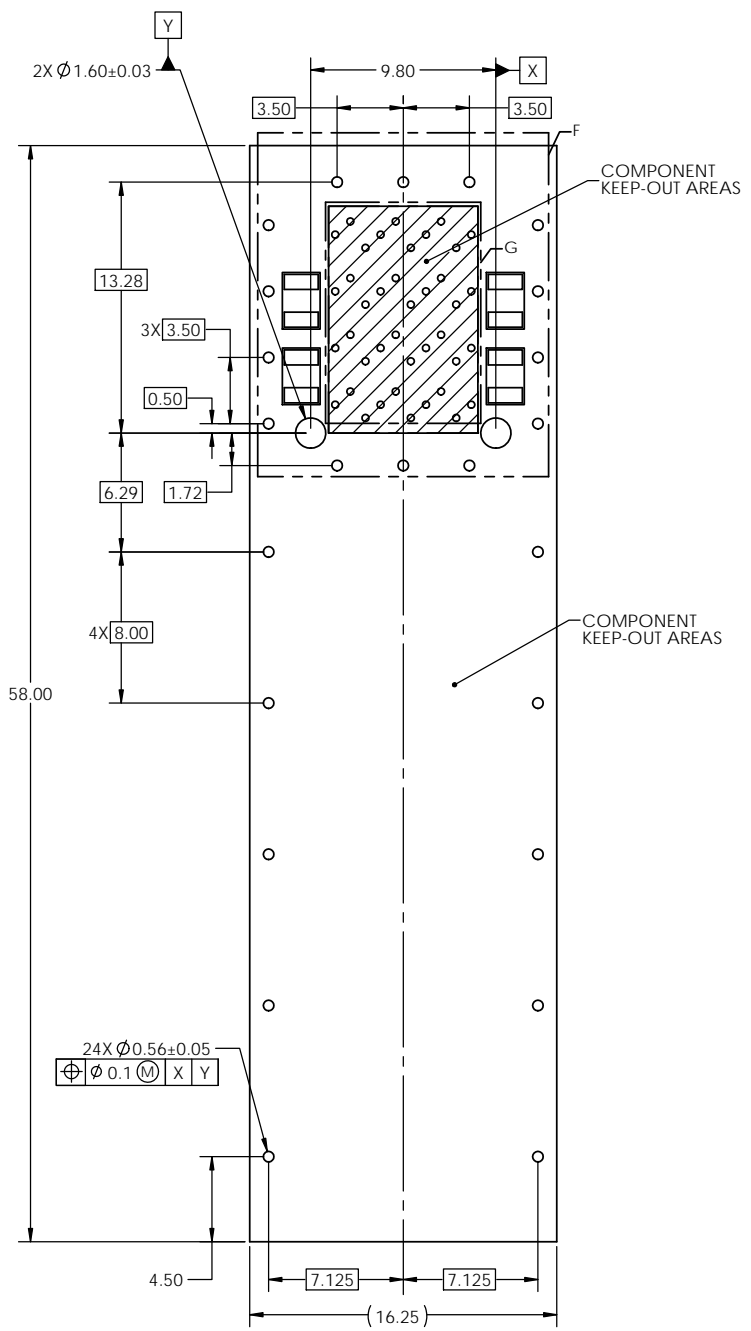
2X1 SFP ULTRAPORT WITH LIGHT PIPE
 OPTIONS AND EMI GASKET

DWG. NO. **P-UE86-3G1420-X0X61** REV **F**

CODE ID NO. 03554 DWG SIZE: C SCALE: 2.5:1 SHEET 3 OF 4

REVISIONS				
REV.	ECN	DESCRIPTION	DATE	APPROVED
D		UPDATE NOTES	AUG 15/14	J.SI
E		CHANGED PCB THICKNESS	NOV 03/15	J.SI
F		REMOVED DIMS. ZONE A2, SHEET 2 OF 4	OCT 28/16	J.SI

NOTES:
1. 0.56MM DIAMETER HOLES ARE CHASSIS GROUND (24 HOLES)



2X1 PCB LAYOUT

UNLESS SPECIFIED OTHERWISE	DRAWN	P. OU	NOV 03/15
DIMENSIONS ARE IN MILLIMETERS	CHECKED	J. SI	NOV 03/15
REFERENCE IN PARENTHESES	M.E. APP'D		
GENERAL TOLERANCES	Q.A. APP'D		
1 DECIMAL PLACE ±0.25	DWG APP'D	J.SI	NOV03/15
2 DECIMAL PLACE ±0.15	MATERIAL AND FINISH	SEE NOTES	
3 DECIMAL PLACE N/A	REF.	ECN Exxxxx	
ANGULAR DEGREES ±1°	THIRD ANGLE PROJECTION	DO NOT SCALE DRAWING	
ENG. REL. NO.			

Amphenol High Speed Interconnects
A Division of Amphenol Corp. www.amphenolcanada.com

2X1 SFP ULTRAPORT WITH LIGHT PIPE
OPTIONS AND EMI GASKET

DWG. NO. **P-UE86-3G1420-X0X61** REV **F**

CODE ID NO. 03554 DWG SIZE: C SCALE: 2.5:1 SHEET 4 OF 4