

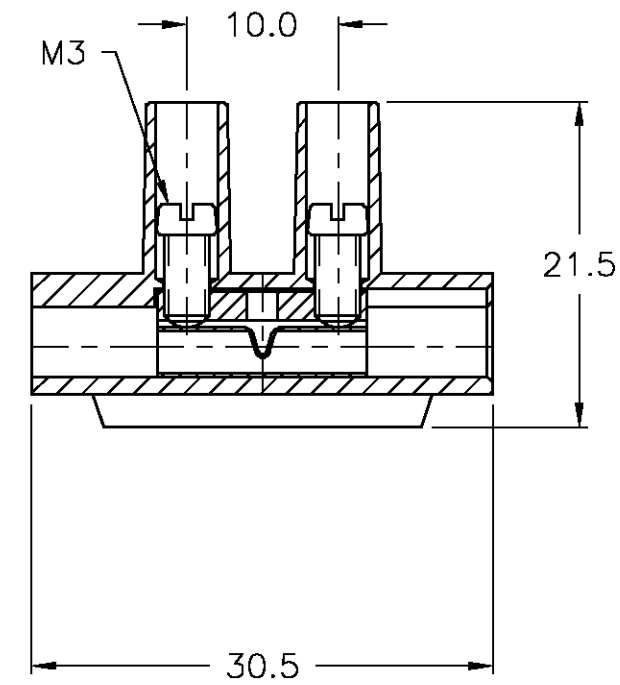
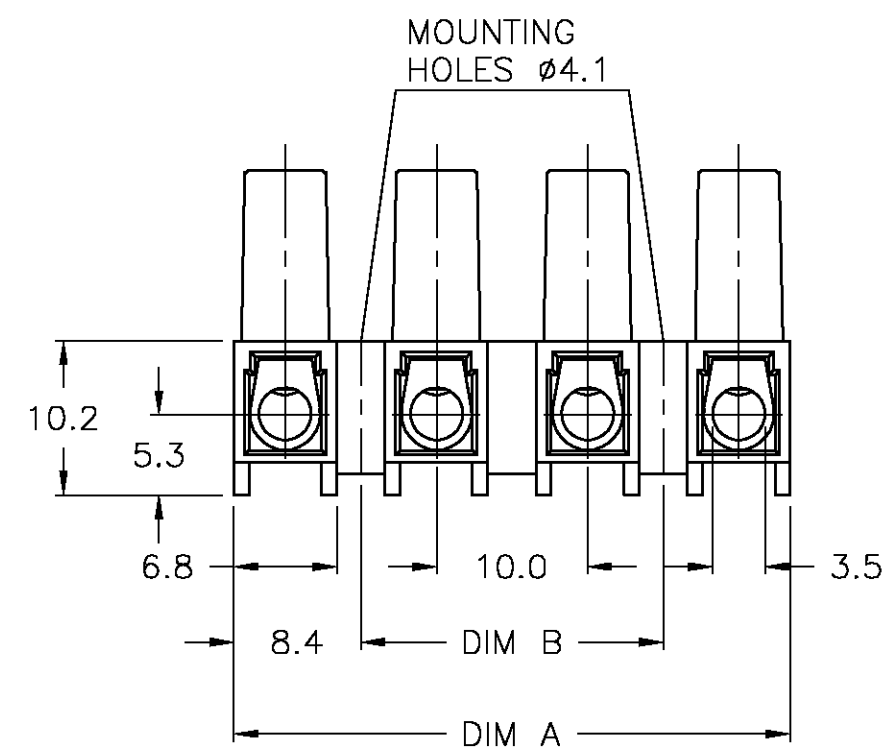
THIS DRAWING IS UNPUBLISHED. RELEASED FOR PUBLICATION
 © COPYRIGHT BY TYCO ELECTRONICS CORPORATION. ALL RIGHTS RESERVED.

LOC	DIST	REVISIONS			
P	LTR	DESCRIPTION	DATE	DWN	APVD
FT	0	0	REVISED PER 0G3B-1020-05	3/21/05	SS CR

MATERIAL:
 HOUSING: POLYIMIDE 6 UL94V-2.
 COLOR: NATURAL.
 TERMINAL: BRASS, TIN PLATED
 SCREWS: STEEL, ZINC PLATED W/ NON-HEXAVALENT CHROMATE (CHROME III).
 WIRE PROTECTOR: STAINLESS STEEL

CURRENT RATING: 30A(UL), 25A(CSA)
 OPERATING VOLTAGE: 600V
 WIRE RANGE: 12-24 AWG

CONTINUOUS WORKING TEMP: -35°C TO +100°C



100.0	116.8	TSB500 SK12MDS	1-1776300-2
90.0	106.8	TSB500 SK11MDS	1-1776300-1
80.0	96.8	TSB500 SK10MDS	1-1776300-0
70.0	86.8	TSB500 SK09MDS	1776300-9
60.0	76.8	TSB500 SK08MDS	1776300-8
50.0	66.8	TSB500 SK07MDS	1776300-7
40.0	56.8	TSB500 SK06MDS	1776300-6
30.0	46.8	TSB500 SK05MDS	1776300-5
20.0	36.8	TSB500 SK04MDS	1776300-4
10.0	26.8	TSB500 SK03MDS	1776300-3
-	16.8	TSB500 SK02MDS	1776300-2
-	6.8	TSB500 SK01MDS	1776300-1
DIM B	DIM A	CATALOG PART NO.	PART NO.

THIS DRAWING IS A CONTROLLED DOCUMENT.		DWN S SCHLEGEL 3/21/05	Tyco Electronics Corporation Harrisburg, Pa 17105-3608			
DIMENSIONS: mm		CHK C RICHARD 3/21/05				
TOLERANCES UNLESS OTHERWISE SPECIFIED:		APVD C RICHARD 3/21/05	NAME EUROPA TERMINAL BLOCK W/ WIRE STOP MOUNTING HOLES 4.1 DIA, 10.0mm PITCH			
0 PLC ± - 1 PLC ± 0.3 2 PLC ± 0.25 3 PLC ± - 4 PLC ± - ANGLES ± 2°		PRODUCT SPEC -	APPLICATION SPEC -			
MATERIAL -	FINISH -	WEIGHT -	SIZE A3	CAGE CODE 00779	DRAWING NO C-1776300	RESTRICTED TO -
CUSTOMER DRAWING			SCALE NTS	SHEET 1 OF 1	REV 0	