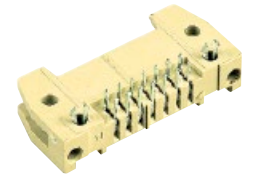


Number of contacts

6-64



SMC male header with angled solder pins and board lock

Identification

Drawing

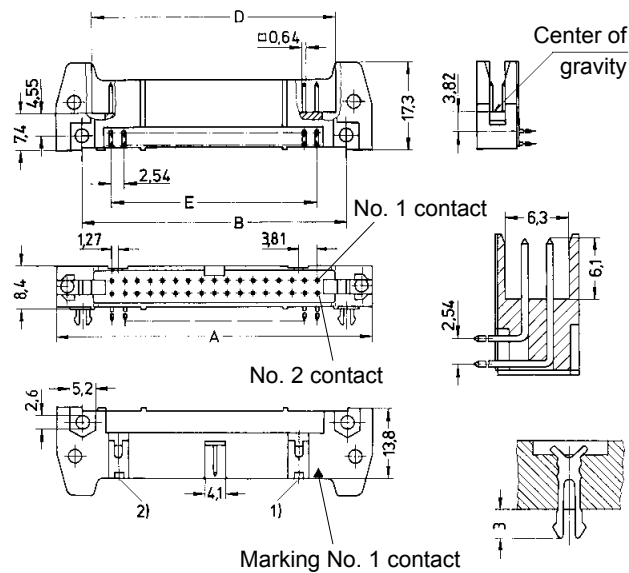
Dimensions in mm

SMC male header

| No. of contacts | A | B | D | E | F | G |
|-----------------|-------|-------|-------|-------------------|-------|-------|
| 6 | 26.9 | 16.76 | 12.45 | 2.54 x 2 = 5.08 | 36.9 | 40.3 |
| 10 | 32.0 | 21.84 | 17.53 | 2.54 x 4 = 10.16 | 42.0 | 45.4 |
| 14 | 37.1 | 26.92 | 22.61 | 2.54 x 6 = 15.24 | 47.1 | 50.4 |
| 16 | 39.6 | 29.46 | 25.15 | 2.54 x 7 = 17.78 | 49.6 | 53.0 |
| 20 | 44.7 | 34.54 | 30.23 | 2.54 x 9 = 22.86 | 54.7 | 58.1 |
| 24 | 49.8 | 39.62 | 35.91 | 2.54 x 11 = 27.94 | 59.8 | 63.2 |
| 26 | 52.3 | 42.16 | 37.85 | 2.54 x 12 = 30.48 | 62.3 | 65.7 |
| 30 | 57.7 | 47.24 | 43.83 | 2.54 x 14 = 35.56 | 68.2 | 68.6 |
| 34 | 62.5 | 52.32 | 48.01 | 2.54 x 16 = 40.64 | 72.5 | 75.8 |
| 40 | 70.1 | 59.94 | 55.63 | 2.54 x 19 = 48.26 | 80.1 | 83.5 |
| 50 | 82.8 | 72.64 | 68.33 | 2.54 x 24 = 60.96 | 92.8 | 96.2 |
| 60 | 95.5 | 85.34 | 81.03 | 2.54 x 29 = 73.66 | 105.5 | 108.9 |
| 64 | 100.6 | 90.42 | 86.11 | 2.54 x 31 = 78.74 | 110.6 | 113.9 |

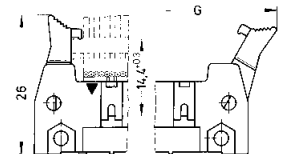
Short levers

for use with female connector without strain relief clamp



Long levers

for use with female connector with strain relief clamp



Board drillings

