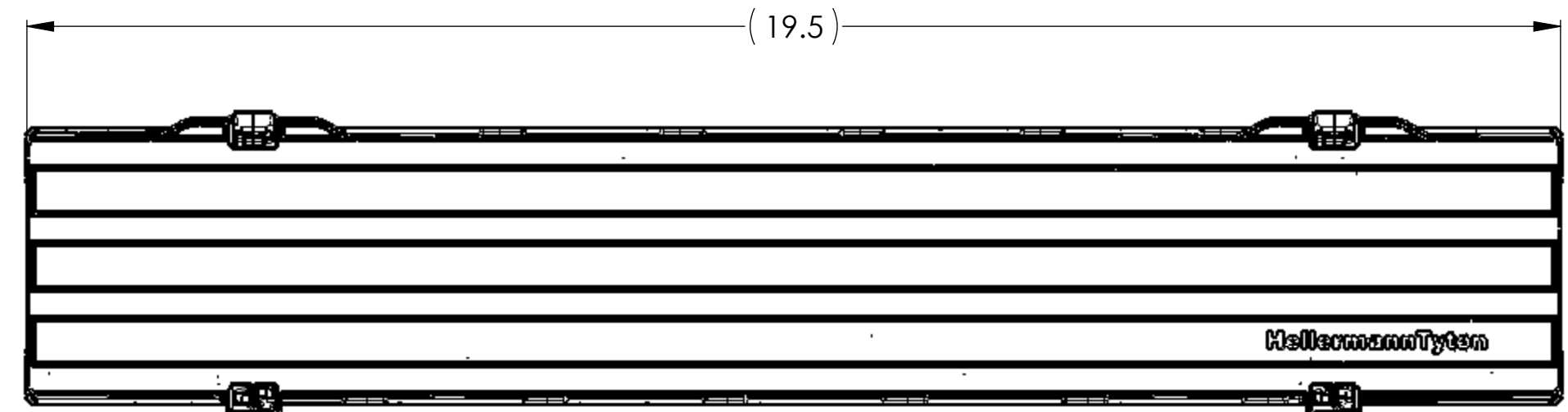
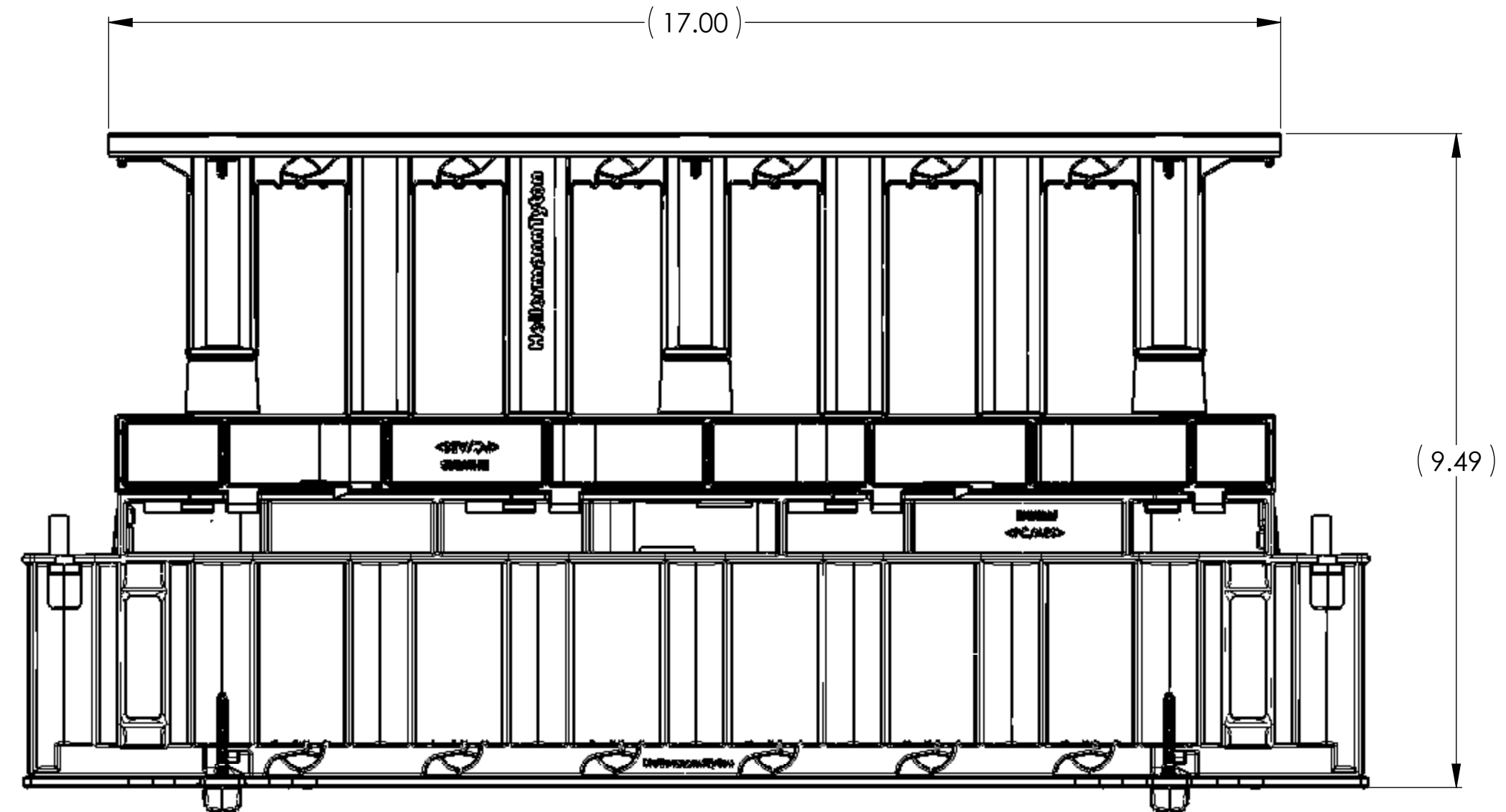
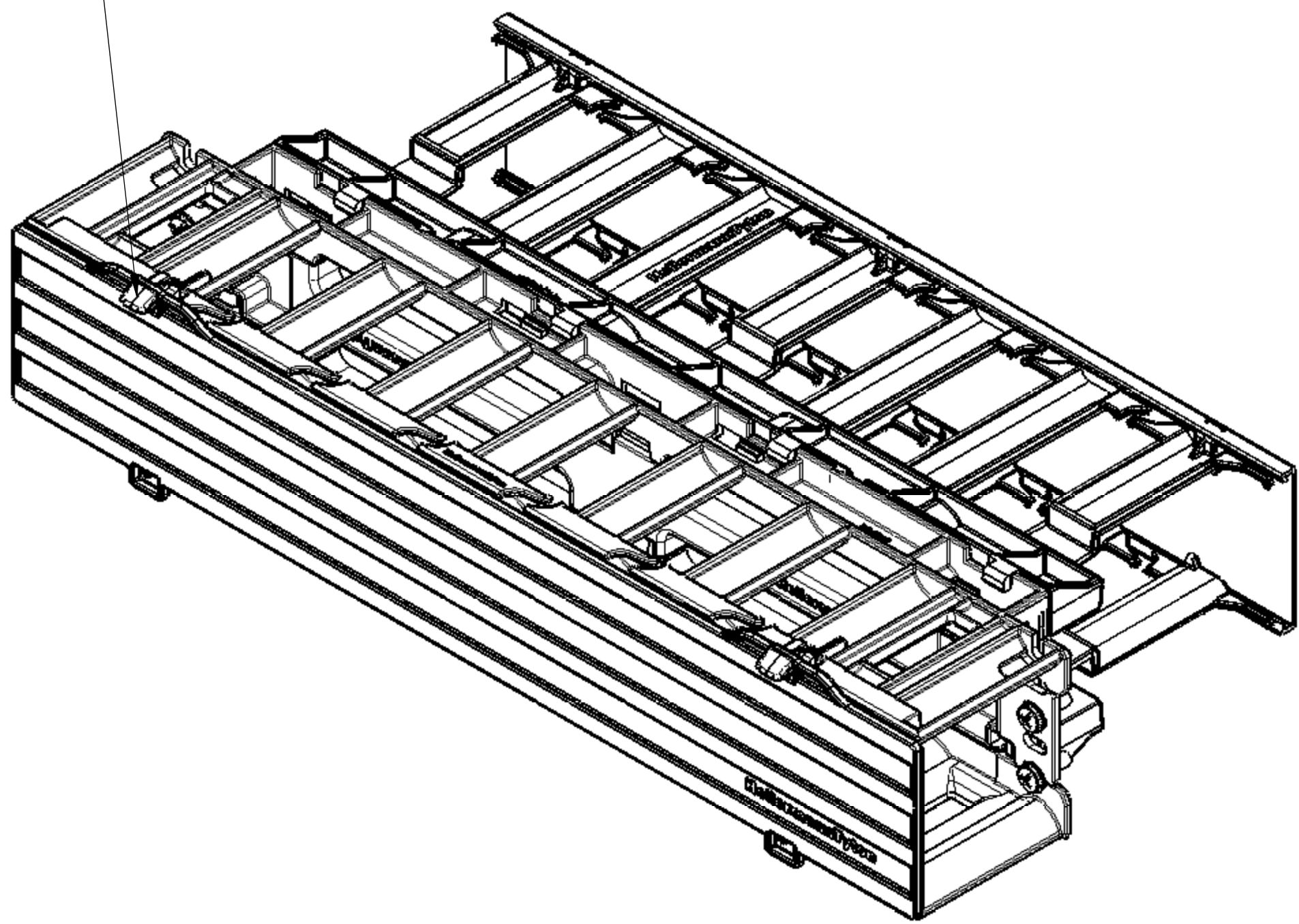


BACK VIEW

PUSH DOWN ON 2 LATCHES TO OPEN COVER $\triangle 06$



HellermannTyton
 ALL PROPRIETARY RIGHTS IN THE SUBJECT MATTER SHOWN ON THIS DRAWING ARE EXCLUSIVE PROPERTY OF HELLERMANNTYTON

name	date	city, state

- NOTES**
- 1) FITS 2U SPACE IN A STANDARD COMM. RACK.
 - 2) COVER HINGES FROM THE BOTTOM.
 - 3) RADIUS EDGES PROVIDE SMOOTH LEAD-IN OF CABLES.
 - 4) (4) #12-24 X 3/4" PH HD SCREWS & WASHERS PROVIDED. $\triangle 06$

REVISION	level	$\triangle 06$
	by	AAC
	date	09/22/2008
	ECN #	011121
	part level	-

TOLERANCES	.XXXX = ±.0005
	.XXX = ±.005
	.XX = ±.01
	.X = ±.03
	∠ = ±0.5°
unless otherwise specified	
units	inches

number	EHW2	phase	Production
PART			
name MOLDED WIRE MANAGER 2U HORIZONTAL DUAL SIDED			
material PC/ABS BLACK			

format	C	SW	2007	scale	1:2
version	N	CAD			
computer file name	DT2017008CST_06		previous drawing number		
drawn	P.NIEDFELDT	checked	KAC	approved	
date	05/16/2003	date	09/22/2008	sheet 1 of 1	
type	Customer	number DT2017008CST			