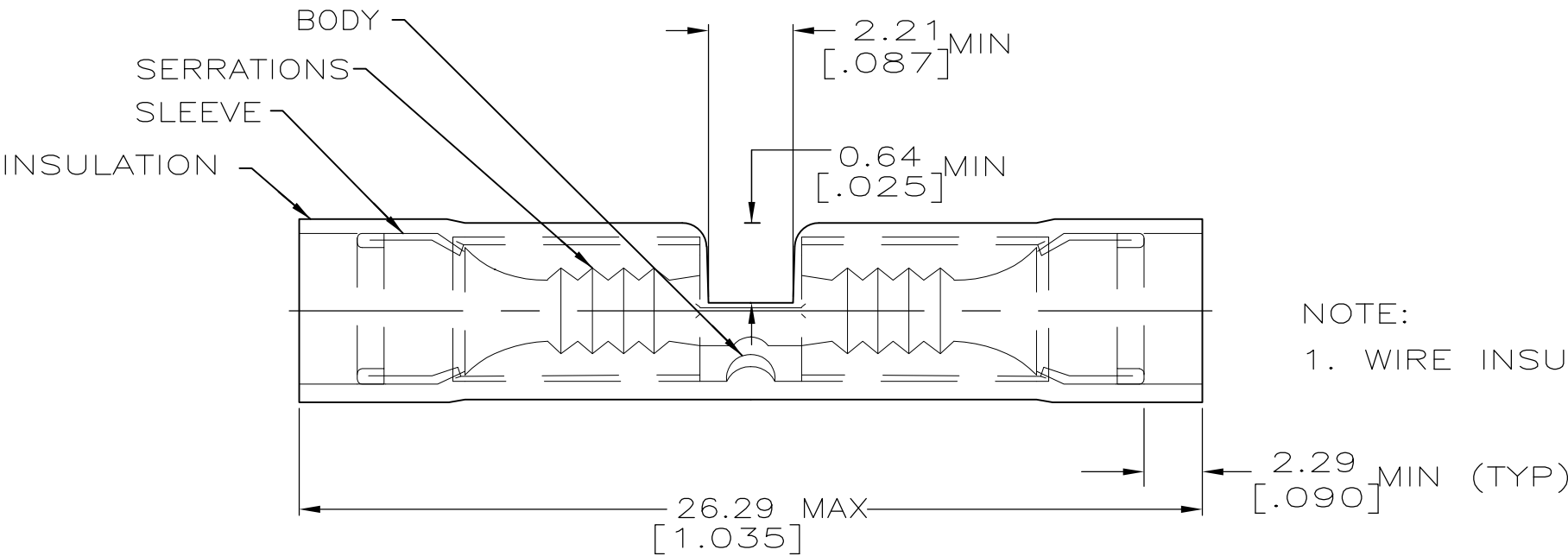


THIS DRAWING IS UNPUBLISHED. RELEASED FOR PUBLICATION - , -
 © COPYRIGHT - By - ALL RIGHTS RESERVED.

LOC	DIST	REVISIONS					
G	14	P	LTR	DESCRIPTION	DATE	DWN	APVD
		M1		REVISED PER ECO-11-004917	11MAR11	RK	HMR



AMP
WIRE RANGE
24-20 AWG
STRANDED

METRIC
DIMENSIONS LISTED IN mm [INCHES]

NOTE:
1. WIRE INSULATION DIA 1.02[.040] TO 2.54[.100]

M7928/5-2 CLASS 2	2500	ON TAPE	2-323975-3
M7928/5-2 CLASS 1&2	50	LOOSE PIECE	323975
MILITARY PART NUMBER & CLASS PER MIL-T-7928	QTY	PACKAGE TYPE	PART NO

AMP INCORPORATED CUSTOMER SERVICE SYSTEMS		MAX RECOMMENDED OPERATING TEMPERATURE: 105° C	THIS DRAWING IS A CONTROLLED DOCUMENT.		DWN S.S. GOULDEN 9-28-93	STE TE Connectivity	
FOR ADDITIONAL PRODUCT INFORMATION OR COPIES OF DRAWINGS AND TECHNICAL DOCUMENTS	PRODUCT INFORMATION CENTER 1-800-522-6752	VOLTAGE RATING: -	DIMENSIONS: MM[INCHES]	TOLERANCES UNLESS OTHERWISE SPECIFIED:	CHK R. HERSEY 9-28-93	NAME SPLICE, BUTT, P.I.D.G., WIRE SIZE: 24-20 AWG	
FOR APPLICATION TOOLING INFORMATION	TOOLING ASSISTANCE CENTER 1-800-722-1111	CIRCULAR MIL AREA: 0.16 - 0.65mm ² [320-1,290] STRANDED		0 PLC ± - 1 PLC ± - 2 PLC ± 0.20[.008] 3 PLC ± - 4 PLC ± - ANGLES ± -	APVD S. BORTNER 9-28-93	PRODUCT SPEC -	SIZE A3
FOR ORDER ENTRY	1-800-526-5142	THIS DRAWING IS A CONTROLLED DOCUMENT FOR AMP INCORPORATED. IT IS SUBJECT TO CHANGE AND THE CONTROLLING ENGINEERING ORGANIZATION SHOULD BE CONTACTED FOR THE LATEST REVISION.	MATERIAL COPPER PER ASTM B-152 NYLON, COLOR:NATURAL	FINISH TIN PLATE PER MIL-T-10727	APPLICATION SPEC -	WEIGHT -	CAGE CODE 00779
			CUSTOMER DRAWING		DRAWING NO C-323975	RESTRICTED TO -	SCALE NTS
					SHEET 1 OF 1	REV M1	