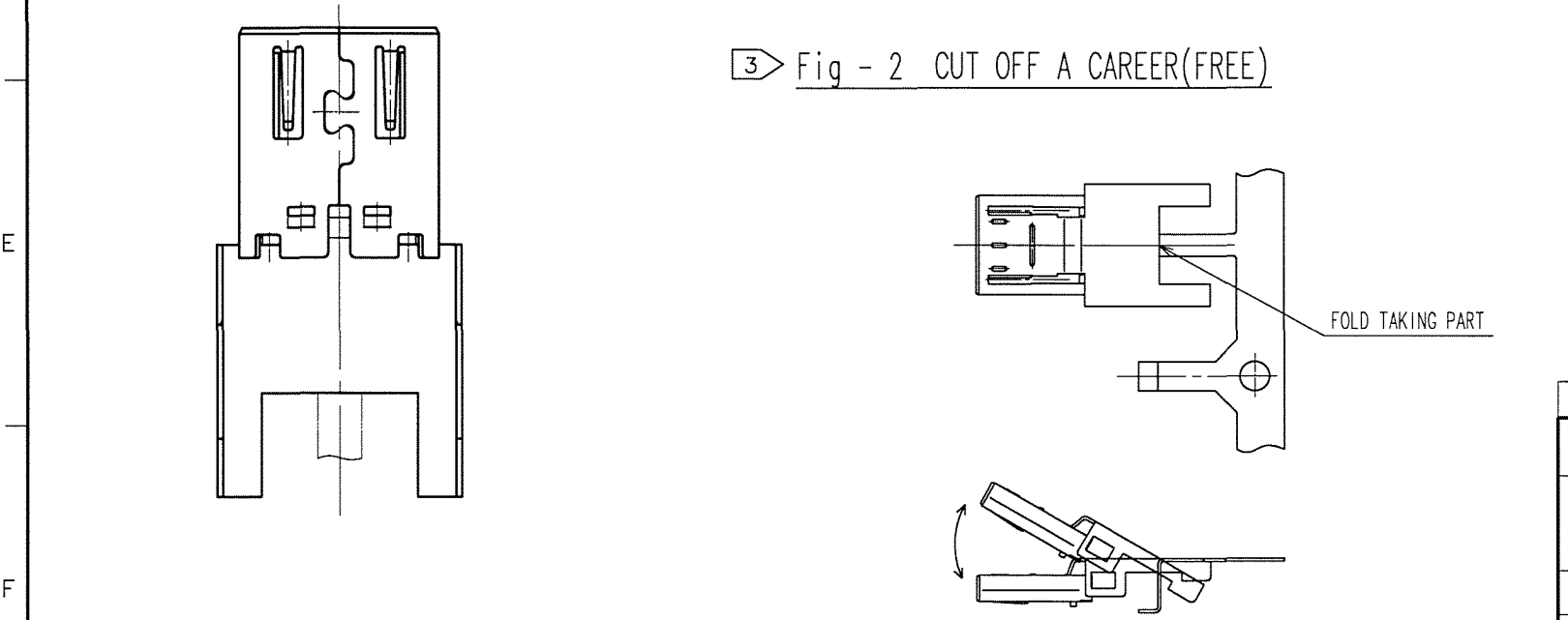
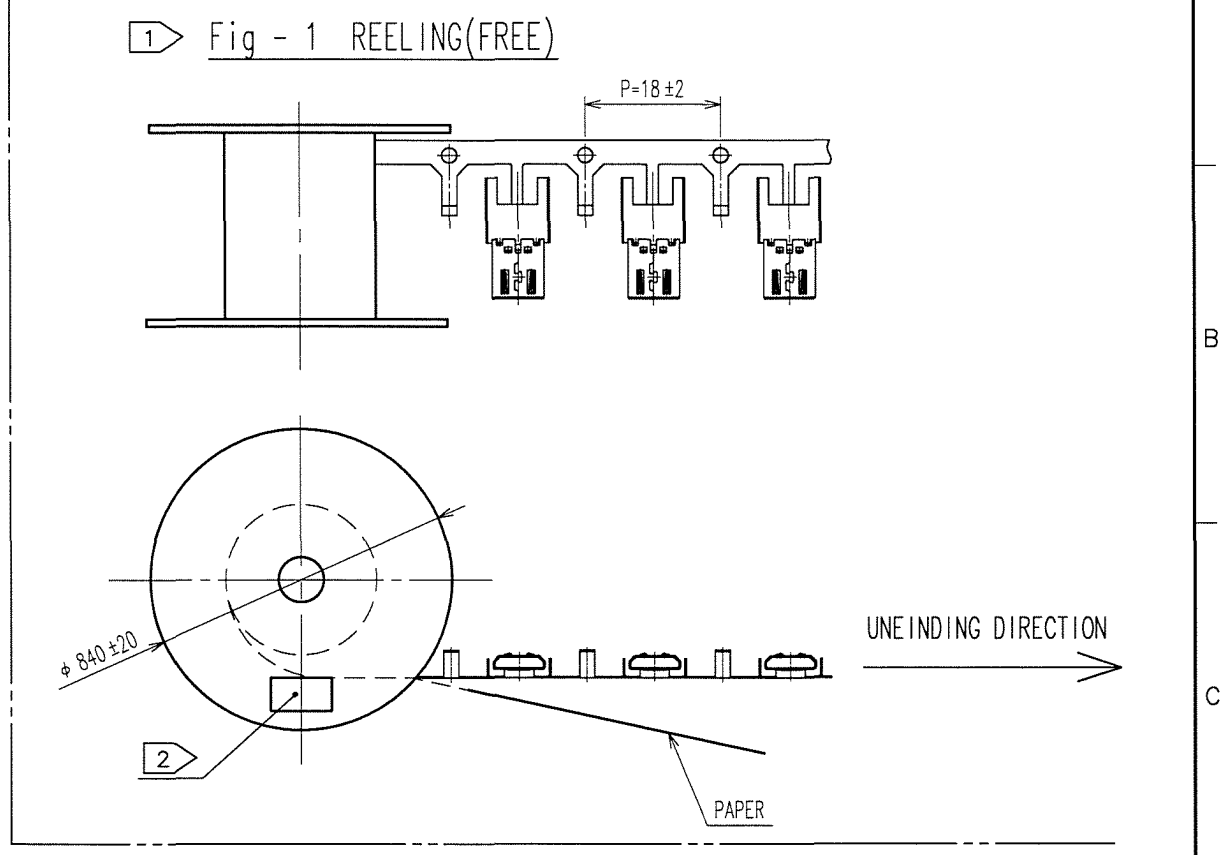
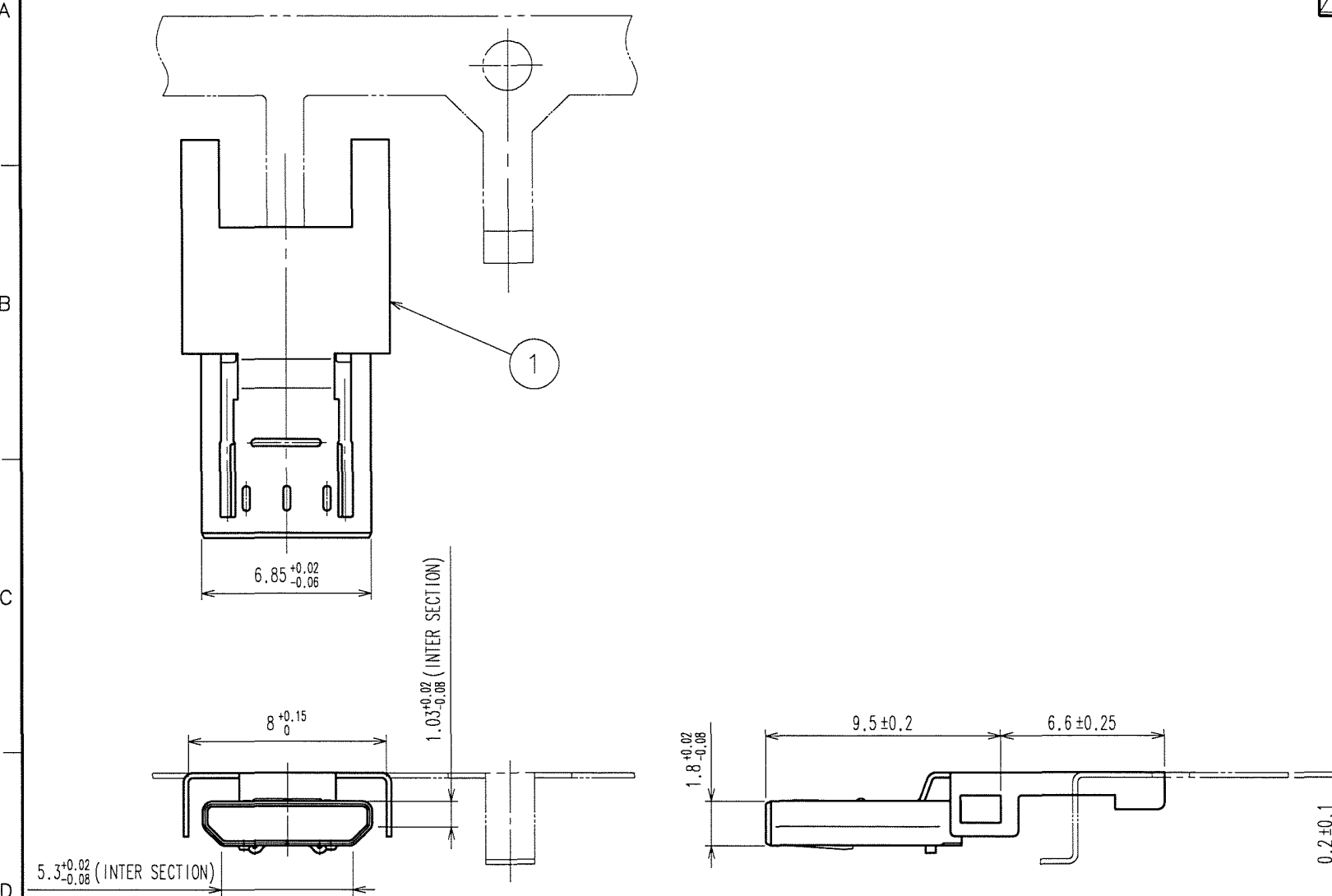


COUNT	DESCRIPTION OF REVISIONS	BY	CHKD	DATE	COUNT	DESCRIPTION OF REVISIONS	BY	CHKD	DATE
△				..	△				..
△				..	△				..
△				..	△				..



NOTES
 1 THIS IS DELIVERED BY A REEL .QTY:4000PCS
 2 SHOWN ON A REEL AND A BOX IS ; " PART No. ", " CODE No. ", " LOT No. ", " QTY "
 3 CUT OFF CAREER AS SHOWN IN Fig-2.

NO.	MATERIAL	FINISH, REMARKS	NO.	MATERIAL	FINISH, REMARKS
1	STAINLESS STEEL	NICKEL 0.1 μ m MIN			
CODE NO. (OLD)		DRAWN	DESIGNED	CHECKED	APPROVED
		<i>M. Shioyama</i>	<i>M. Shioyama</i>	<i>2. Hayama</i>	<i>[Signature]</i>
		07.2.1	07.2.1	07.02.02	07.02.05
DRAWING NO. EDC3-126125			PART NO. ZX64-B-SLDC		
UNITS mm			CODE NO. CL242-0018-4		

TO