



PRODUCT DATASHEET

Lotta series

last update 8/3/2017

DETAILS

Product Number	C11518_LOTTA-A
Family	Lotta
Type	Lens
Color	clear
Diameter	19,6+15,4 mm
Height	3,65 mm
Style	rectang
Optic Material	PMMA
Holder Material	
Fastening	tape, screw
Status	production ready
ROHS Compliant	Yes
Date Updated	8/03/2017



OPTICAL PROPERTIES

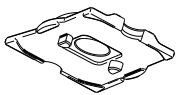
LED	Viewing Angle	Light Beam	Efficiency	cd/lm	Connector
LUXEON Rebel	168 deg	Wide-Area...	88 %	-	-

D

C

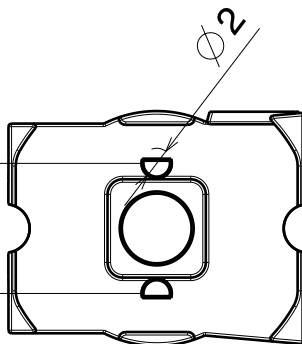
B

A



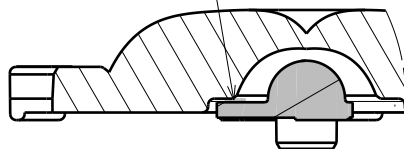
Isometric view
Scale: 1:1

8.6
c/c



Bottom view
Scale: 2:1

Fail diode
in Rebel-ES



Section view
with Rebel-ES

3.64

1.76

0.95

Front view
Scale: 2:1

19.6

15.4

3.2

Top view
Scale: 2:1

20

c/c fastening

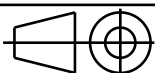
INDEX	PART NO	DESCRIPTION	MATERIAL	COLOUR
1	C11518	LOTTA-A	PMMA	

Tolerances if not otherwise shown
According to DIN ISO 2768-1
Linear measures:
Up to 30mm class M, otherwise class C.
According to DIN ISO 2768-2
Form and position: class L

LEDiL

Ledil Oy
Salorankatu 10
FIN 24240 SALO
Finland

THIRD ANGLE PROJECTION:



DRAWING TITLE

C11518_LOTTA-A

This drawing is the property
of LEDiL Oy. It may not be
reproduced, copied or
communicated without a written
agreement with LEDiL Oy.

SIZE PART NUMBER

A4

C11518

SCALE	1:1	WEIGHT	0,6 g	SHEET	1/1
-------	-----	--------	-------	-------	-----

D

A

NOTE: The typical divergence will be changed by different color, chip size and chip position tolerance. The typical total divergence is the full angle measured where the luminous intensity is half of the peak value.