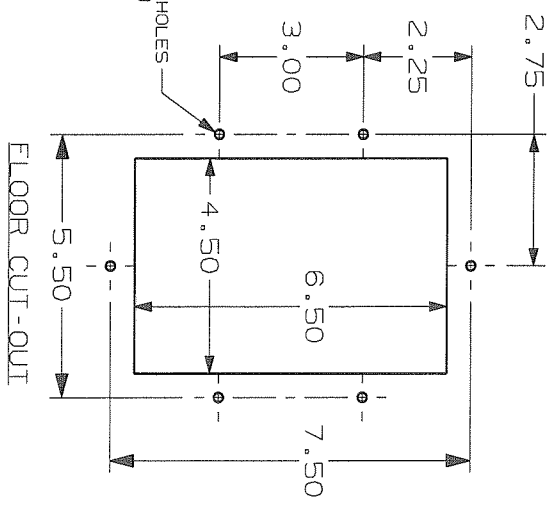
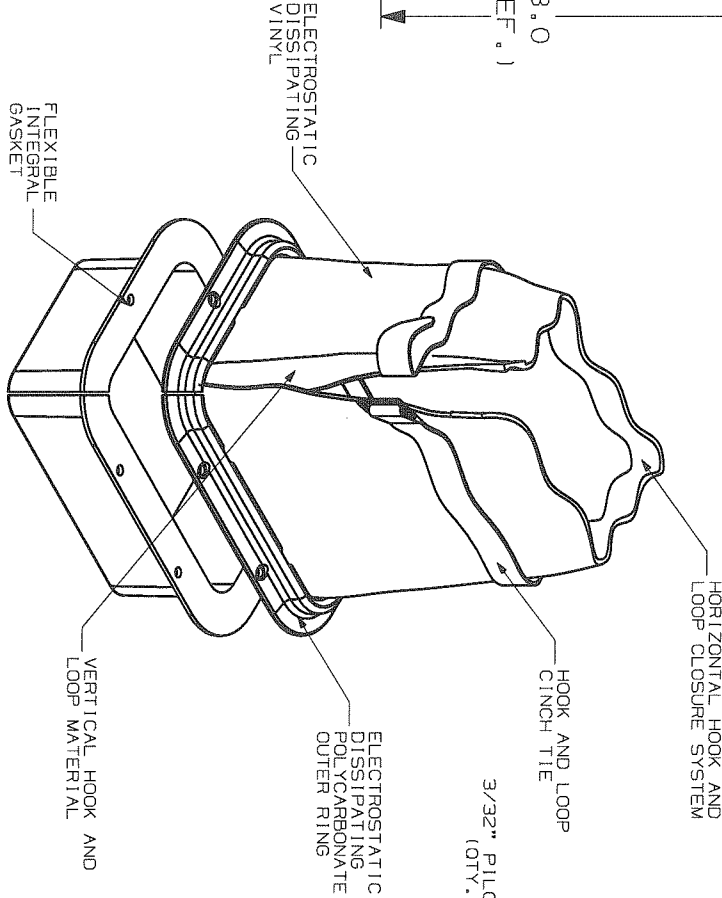
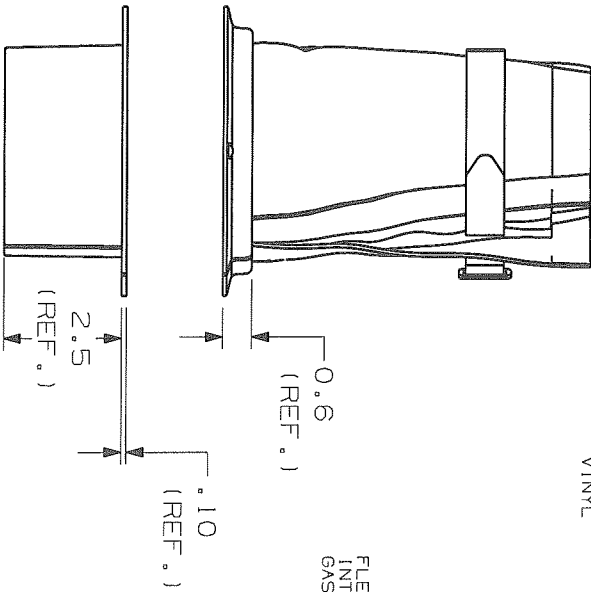
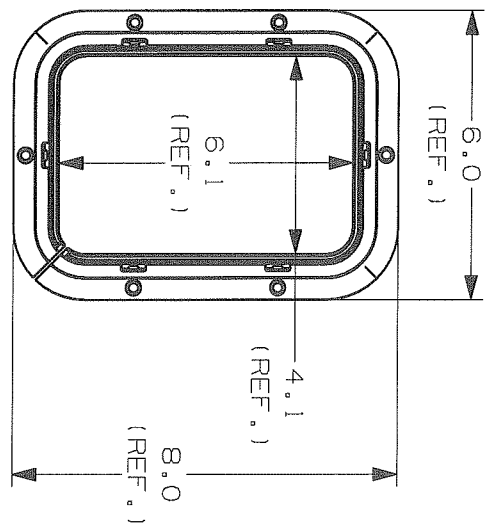


THIS COPY IS PROVIDED ON A RESTRICTED BASIS AND IS NOT TO BE USED IN ANY WAY DETRIMENTAL TO THE INTERESTS OF PANDUIT CORP.



NOTE:  
1) PRODUCT INCLUDES PHILLIPS PANHEAD SELF-DRILL SCREWS, #6 x 5/8", (QTY 6).

REV	DATE	BY	CHK	DESCRIPTION	ECN	R	CUST	SUP
05B	08/15/08	ARRHA		ADDED "Y" PART NUMBER; CHANGED REV. STYLE, FILENAME, AND CUT-OUT DIM'S.	GB3405VA	05B		
1	03/11/08	ARRHA		CHANGED HOLE CONFIGURATION	GB3405VA	1		

**PANDUIT** CORP. TINLEY PARK, ILLINOIS

**RF6X8(Y)**

**RAISED FLOOR GROMMET**

DIMENSIONS IN BRACKETS ARE METRIC [ mm ]

CAD FILENAME/LAYERS: G03405AC\_DC\_GB3405VA/05B

UNLESS OTHERWISE SPECIFIED, DIMENSIONAL TOLERANCES ARE:  
(.XX) ±0.1 (2.5) (.XXX) ±0.010 (0.25)  
(.XX) ±0.02 (0.5) ANGLES ±5°

UNLESS OTHERWISE SPECIFIED, ALL DIMENSIONS ARE GIVEN IN INCHES, THIRD ANGLE PROJECTION.

SCALE: 1 : 4

DRAWING NO.: GB3405VA

DWG SIZE: A

DRAWN BY: ARRHA

DATE: 01/18/08

CHK'D: KLN

MAT'L: N/A