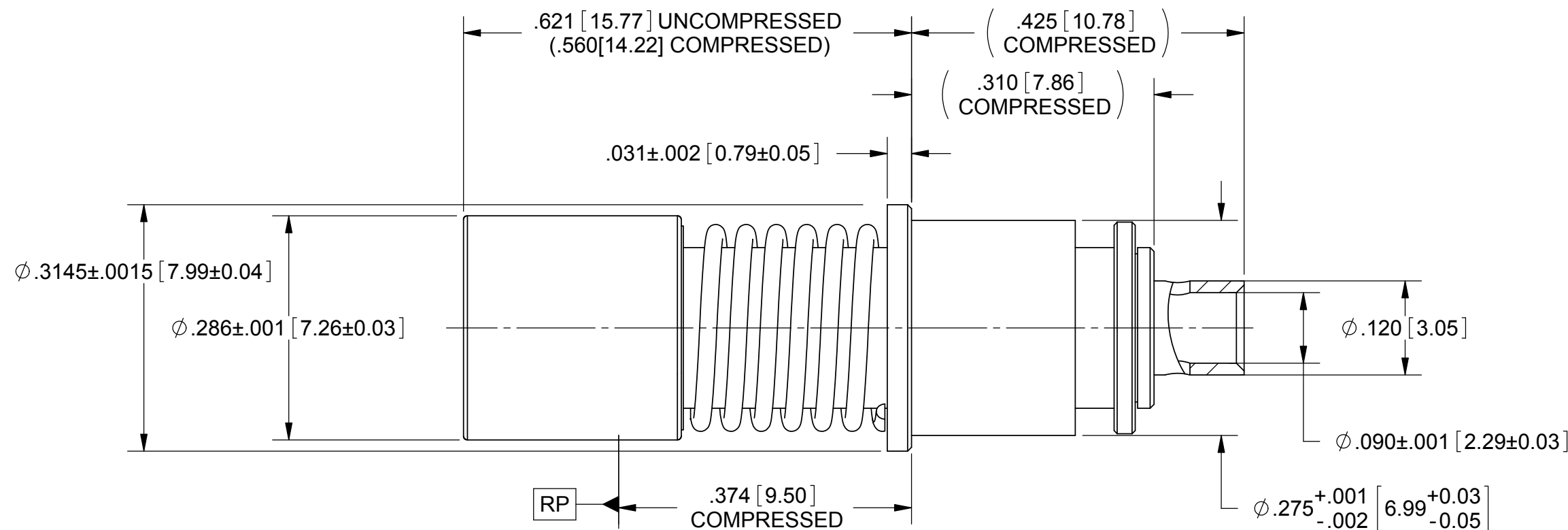


PRODUCT DATA DRAWING

REVISION HISTORY			
REV	DESCRIPTION	DATE	APPROVED
B	REV. DCN 3966	08/01/13	PJS



MATERIAL:

BODY, FERRULE & SLEEVE:

STAINLESS STEEL PER AMS-5640, ALLOY UNS S30300, TYPE 1
BRASS PER ASTM B16 ALLOY UNS No. 36000

FERRULE: CONTACT RET. RING:

BERYLLIUM COPPER PER ASTM B196, ALLOY No. UNS C17300, TD04

INSULATOR: SPRING:

PTFE PER ASTM D1710, TYPE I, GRADE 1, CLASS B
STAINLESS STEEL PER ASTM A313, TYPE 631 ALLOY No. UNS17700.

FINISH:

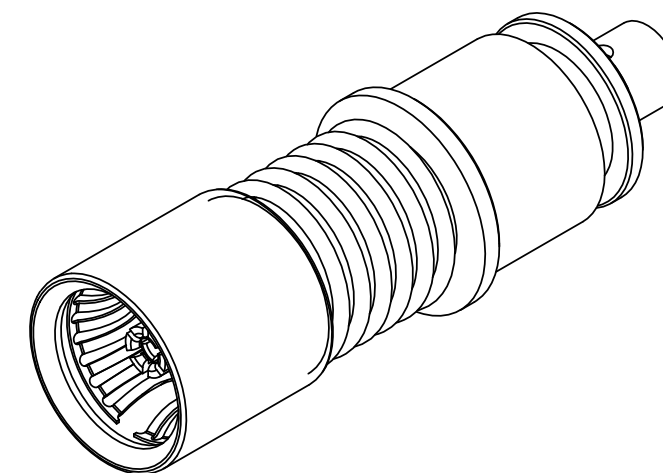
BODY, SLEEVE, & SPRING: CONTACT & FERRULE:

PASSIVATED PER AMS-2700, TYPE 2.
GOLD PER ASTM B488, TYPE II, CODE C, CLASS 1.27; OVER NICKEL PER AMS-QQ-N-290, CLASS 1, .00005" MIN.
NICKEL PER AMS-QQ-N-290.

RET. RING:

PERFORMANCE:

IMPEDANCE: 50 OHMS
FREQ. RANGE: DC TO 26.5 GHz
VSWR: 1.30:1 DC TO 26.5 GHz
INSERTION LOSS: .06 X SQRT(F(F IN GHz))
DWV: 1000 VRMS
OPERATING TEMP.: -55°C TO +125°C



MATERIAL: SEE NOTES	DIMENSIONS ARE IN INCHES TOLERANCES: FRACTIONAL: ±1/64 ANGULAR: X° ±1'0" X'X' ±15'	UNLESS OTHERWISE SPECIFIED 1) ALL DIMENSIONS ARE IN INCHES (MILLIMETERS) 2) ALL DIMENSIONS ARE AFTER PLATING. 3) BREAK CORNERS & EDGES .005 R. MAX. 4) CHAM. 1ST & LAST THREADS. 5) SURFACE ROUGHNESS 63-MIL-STD-10. 6) DIA.'S ON COMMON CENTERS TO BE CONCENTRIC WITHIN .005 T.I.R. 7) REMOVE ALL BURRS	SV Microwave, Inc. 2400 Centrepark West Drive, Suite 100 West Palm Beach, FL 33409
FINISH: SEE NOTES	DECIMAL: X ±.030 .XX ±.010 .XXX ±.005	INTERPRET DIMENSIONS AND TOLERANCES PER ASME Y14.5M - 1994	TITLE: M38999/BMA SOCKET FOR Tflex 405 CABLE
SURFACE AREA: N/A	THIRD ANGLE PROJECTION	DRAWN: JMC 02/11/08	SIZE: B CAGE CODE: 95077 DWG. NO.: SF9411-6000
PROPRIETARY THE INFORMATION CONTAINED IN THIS DRAWING IS THE SOLE PROPERTY OF SV MICROWAVE, INC. ANY REPRODUCTION IN PART OR AS A WHOLE WITHOUT THE WRITTEN PERMISSION OF SV MICROWAVE, INC IS PROHIBITED.		CHECKED: PJS 05/05/10 APPROVED: PJS 05/05/10	SCALE: 6:1 SHEET 1 OF 1