

1 2 3 4 5 6

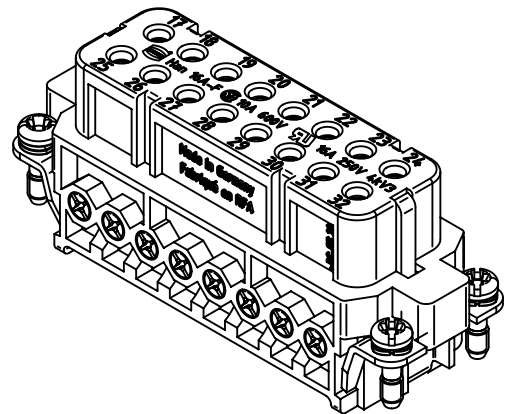
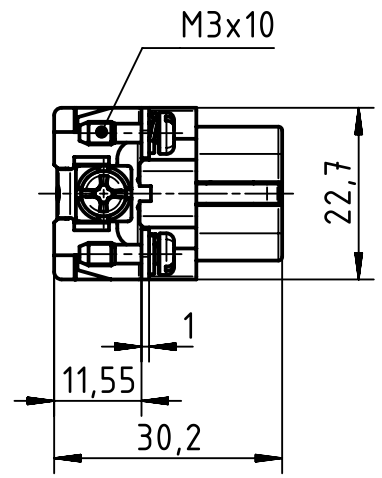
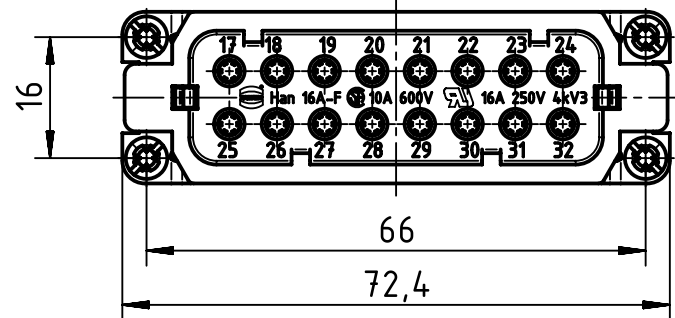
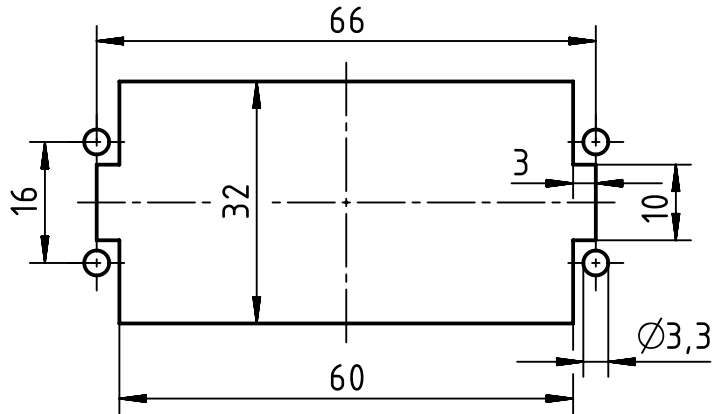
A

B

C

D

panel cut out



	All rights reserved Department EL PD - DE HARTING Electric GmbH & Co. KG D-32339 Espelkamp	All Dimensions in mm Original Size DIN A4		Scale 1:1	Free size tol.	Ref. Sub.
		Created by SPRENB	Inspected by BERGHORN	Standardisation TIEMANNA	Date 2015-09-18	State Final Release
Title Han A16 Pos F Insert S w/Wire Prot 17-32					Doc-Key / ECM-Nr. 100536046/UGD/003/D 500000091602	
Type TB				Number 09 20 016 2815		Rev. D
						Page 1/1