

6

5

4

3

2

1

E

E

D

D

C

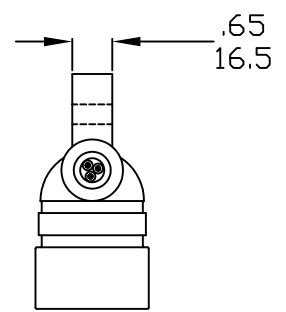
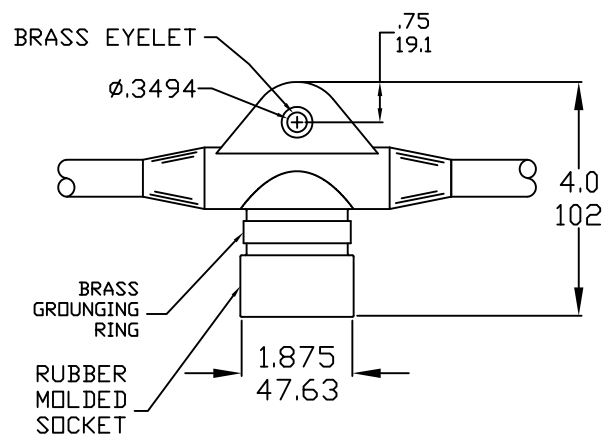
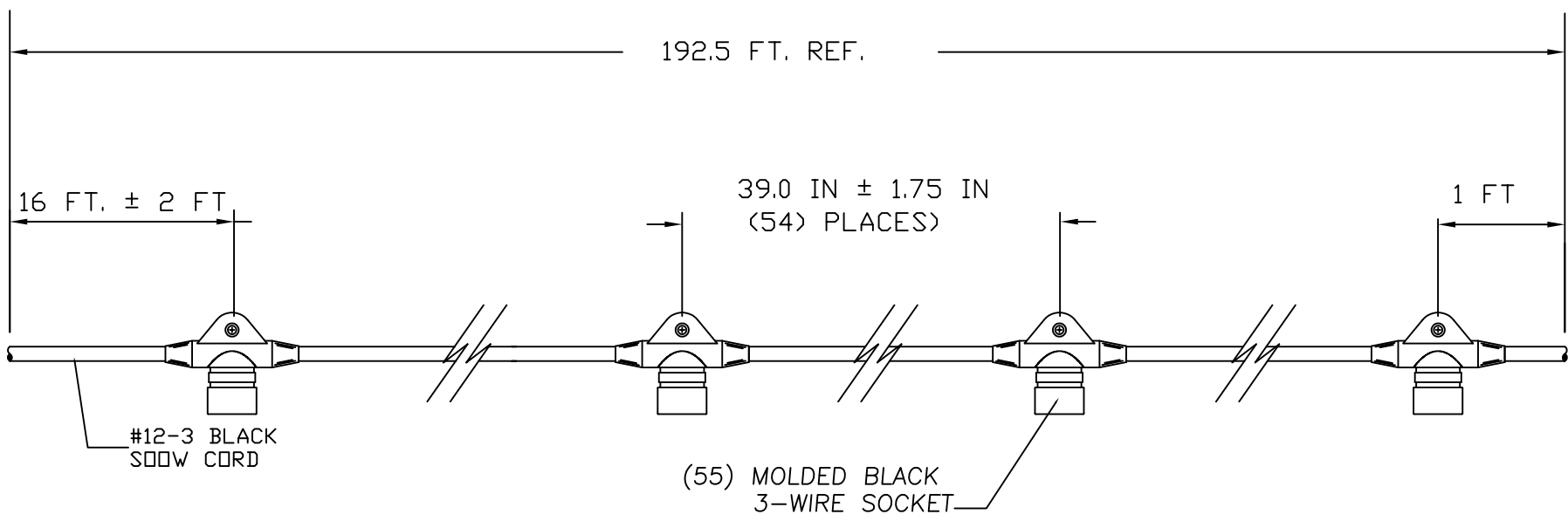
C

B

B

A

A



RELEASE DRAWING EC NO: WNA2011-0224 DRWN: TVICKERS 2010/10/28 CHKD: HK APPR: DTITUS 2010/11/22	DESCRIPTION REV	QUALITY SYMBOLS	GENERAL TOLERANCES (UNLESS SPECIFIED) <table border="1"> <thead> <tr> <th></th> <th>mm</th> <th>INCH</th> </tr> </thead> <tbody> <tr> <td>4 PLACES</td> <td>±---</td> <td>±---</td> </tr> <tr> <td>3 PLACES</td> <td>±---</td> <td>±.005</td> </tr> <tr> <td>2 PLACES</td> <td>±0.13</td> <td>±.010</td> </tr> <tr> <td>1 PLACE</td> <td>±0.25</td> <td>±.020</td> </tr> </tbody> </table>		mm	INCH	4 PLACES	±---	±---	3 PLACES	±---	±.005	2 PLACES	±0.13	±.010	1 PLACE	±0.25	±.020	DIMENSION STYLE IN/MM	SCALE NTS	DESIGN UNITS INCH	THIRD ANGLE PROJECTION
				mm	INCH																	
		4 PLACES		±---	±---																	
		3 PLACES		±---	±.005																	
		2 PLACES		±0.13	±.010																	
1 PLACE	±0.25	±.020																				
▽=0	DRAWN BY TVICKERS	DATE 2010/10/28	TITLE STRINGLIGHT 192.5 FT. (55) 323@39 IN. CENTERS 16 FT. LEAD & 1 FT TAIL																			
∇=0	CHECKED BY HK	DATE 2010/06/02	MOLEX INCORPORATED																			
	APPROVED BY DTITUS	DATE 2010/11/22	MATERIAL NO. 1301060168		DOCUMENT NO. SD-130106-028	SHEET NO. 1 OF 1																
A			DRAFT WHERE APPLICABLE MUST REMAIN WITHIN DIMENSIONS																			

6

5

4

3

2

1

THIS DRAWING CONTAINS INFORMATION THAT IS PROPRIETARY TO MOLEX INCORPORATED AND SHOULD NOT BE USED WITHOUT WRITTEN PERMISSION