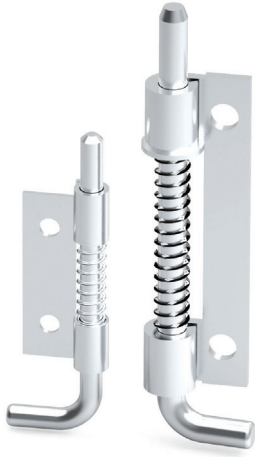


CONCEALED HINGE



Version 1

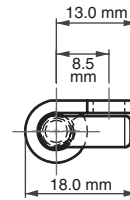
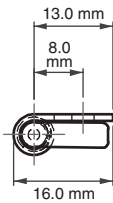
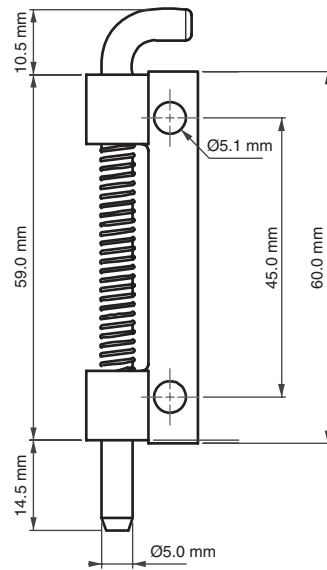
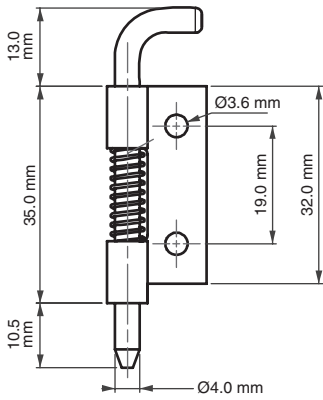
Version 2

Specifications

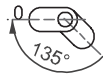
- Material: Steel
- Finish: Zinc plated

Features

- For internally mounted doors
- Spring loaded hinge for easy door removal
- Both versions are either screwed or welded on
- Suitable for left-hand and right-hand application



Hinge Rotation Angle



Note: Bolts are not supplied
Note: Assembled RH (as drawn)
Assembled LH (mirror inverted)

Item Number	Hinge Rotation	Material	Finish	Version	Hand
289631001	135°	Steel	Zinc Plated	1	Right
289631002	135°	Steel	Zinc Plated	1	Right
289632001	135°	Steel	Zinc Plated	2	Left
289632002	135°	Steel	Zinc Plated	2	Left